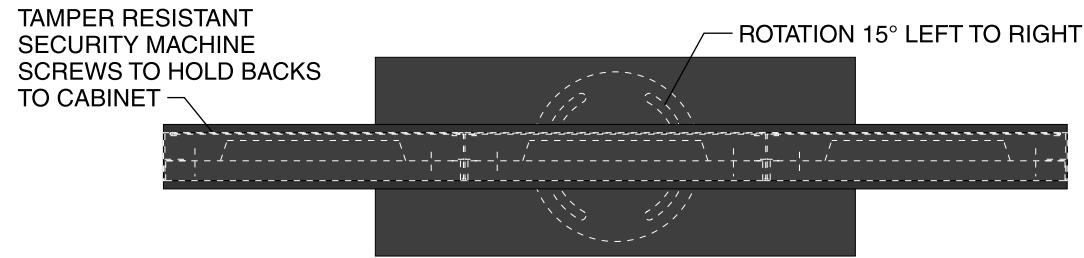




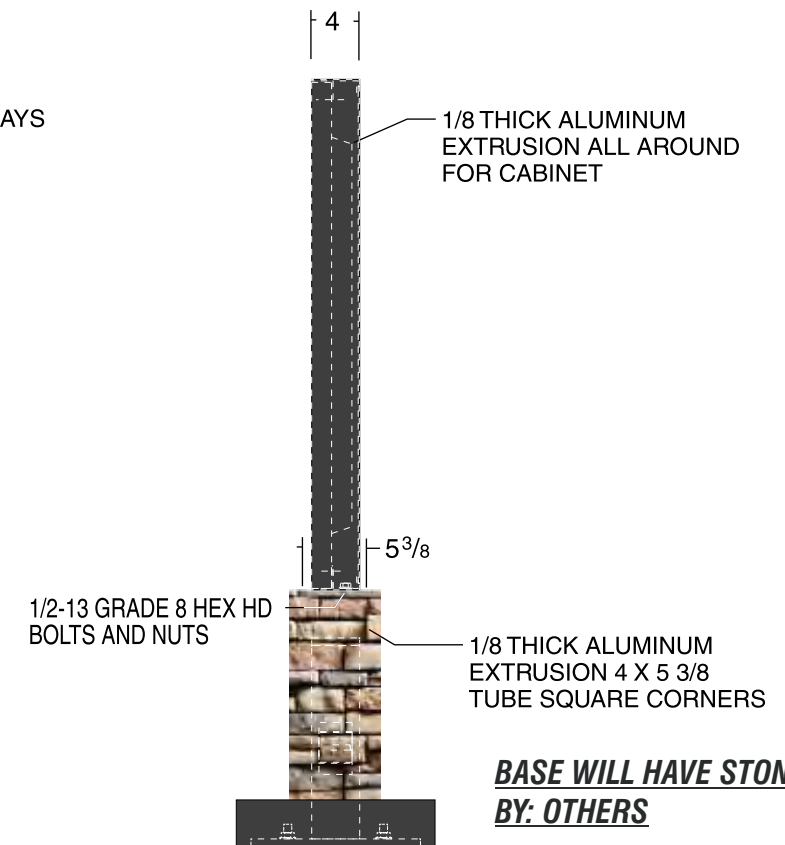
## NOTE: MENU'S BY OTHERS

### E MENU DISPLAYS

TWO(2) REQUIRED  
 scale 3/4" = 1'-0"



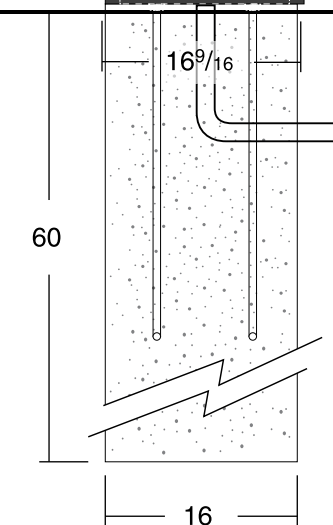
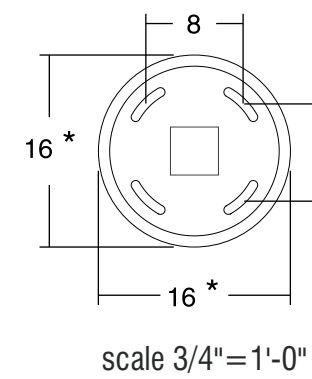
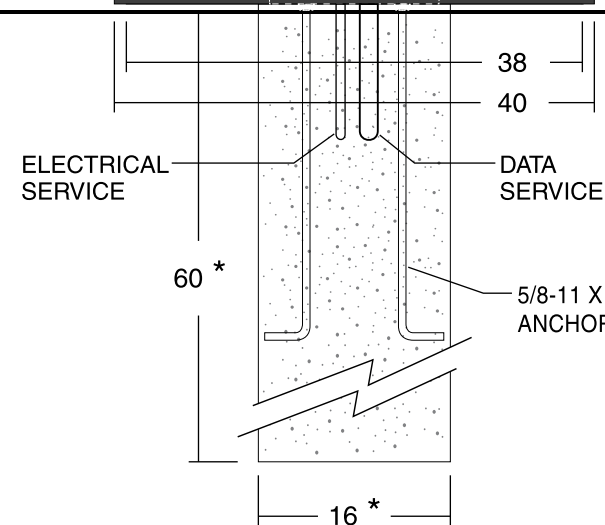
★ Unit can be installed on existing foundation and anchor bolts, and if preferred can utilize the existing mounting steel base.  
 (This would require the data cables to be routed outside of the existing mounting steel.)



**BASE WILL HAVE STONE WORK BY: OTHERS**

**NOTE: The completed menu board is CUL / UL listed.**

★ These are approximate foundation measurements. The soil bearing capacity at the erection site must be considered when designing the foundation. The sign manufacturer is not able to predetermine the specific needs of each location. Consult a local engineer for design specifications.



**Electrical:**  
 13.5 Amps @ 120 VAC 60 Hz