

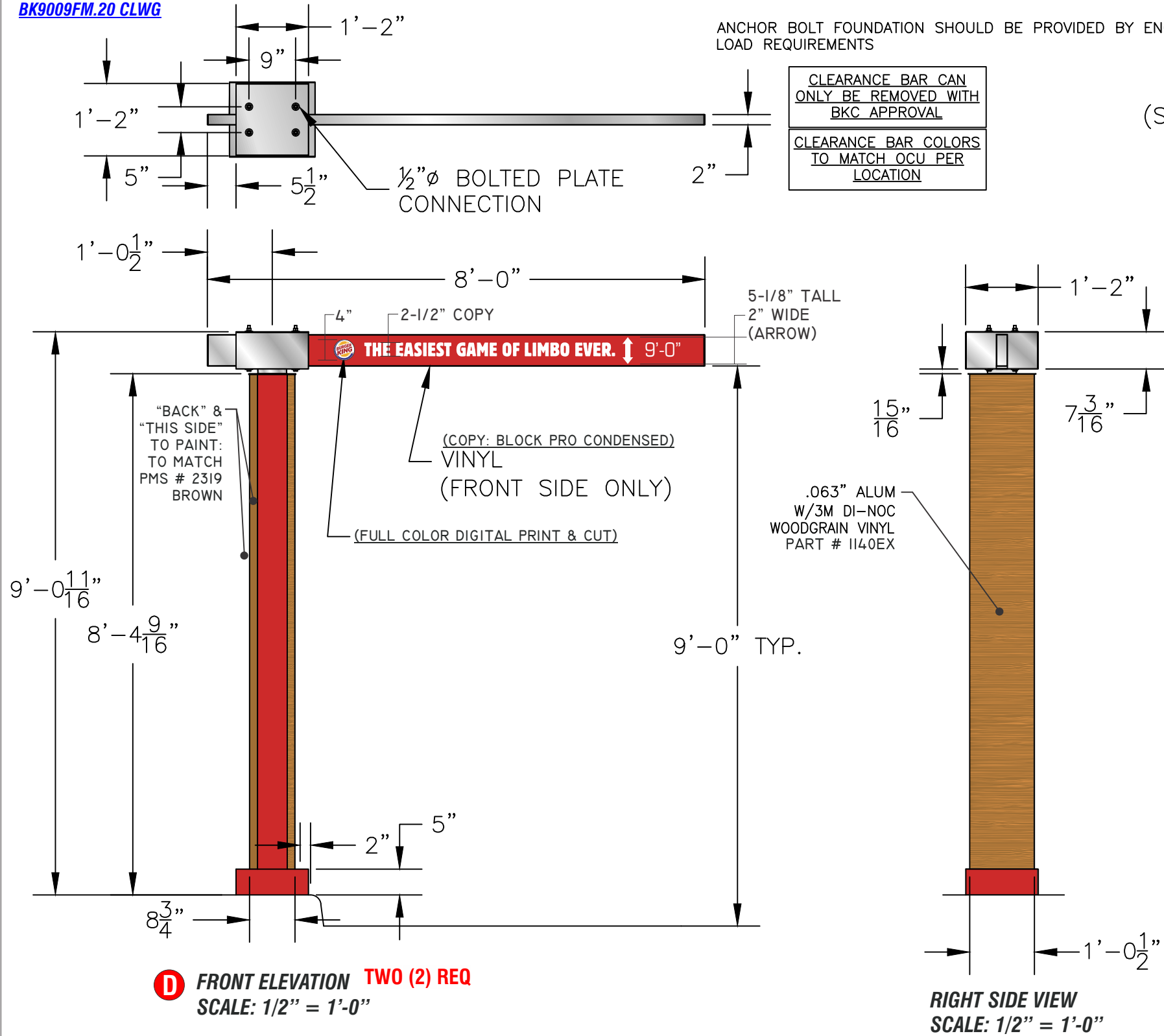
**STANDARD
CLEARANCE BAR
PART #
BK9009FM.20 CLWG**

NOTE:
CLADDING/ STEEL SUPPORT: STEEL CONTINGENT ON ENGINEERS SPEC. AND WIND
LOAD REQUIREMENTS STEEL BASE PLATE W/STEEL ANCHOR BOLTS AND CONCRETE
FOUNDATION

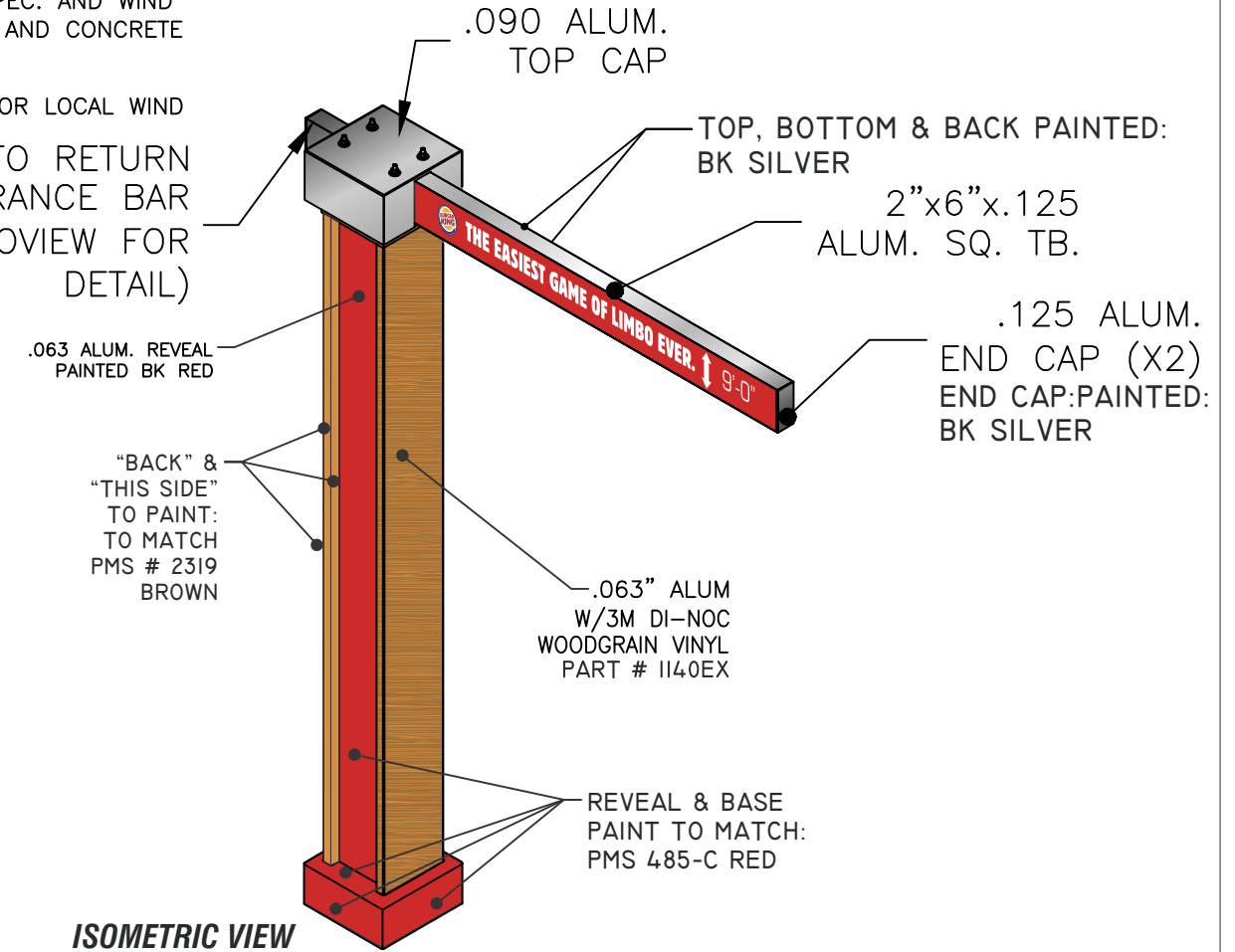
ANCHOR BOLT FOUNDATION SHOULD BE PROVIDED BY ENGINEER FOR LOCAL WIND
LOAD REQUIREMENTS

CLEARANCE BAR CAN
ONLY BE REMOVED WITH
BKC APPROVAL

CLEARANCE BAR COLORS
TO MATCH OCU PER
LOCATION



AUTO RETURN
CLEARANCE BAR
(SEE ISOVIEW FOR
DETAIL)



COLOR NOTES:
FRONT PANEL: .063" ALUM W/3M DI-NOC WOODGRAIN VINYL PART # 1140EX
BACK PANEL: WOODGRAIN VINYL PART # 1140EX
REVEAL: PAINT BK RED
CLEARANCE BAR: BRUSHED ALUM FINISH w/REFLECTIVE SILVER VINYL (SIDES)
BASE: PAINT BK RED



**STANDARD
CLEARANCE BAR
PART #
BK9009FM.20 CLWG**

FILE NAME: BK9009FM.20CLCLEARANCE BAR{UD_I_24_2019}.CDR

FEDERAL HEATH
VISUAL COMMUNICATIONS
www.FederalHeath.com
12704 DuPont Circle Tampa, FL 33626
(813) 855-4415 (800) 284-3284 Fax (813) 854-3037

Manufacturing Facilities:
Oceanside, CA - Eules, TX - Jacksonville, TX - San Antonio, TX
Delaware, OH - Racine, WI

Office Locations:
Oceanside, CA - Las Vegas, NV - Laughlin, AZ
Idaho Falls, ID - Eules, TX - Jacksonville, TX - San Antonio, TX
Houston, TX - Corpus Christi, TX - Indianapolis, IN
Louisville, KY - Knoxville, TN - Grafton, WI - Delaware, OH
Willowbrook, IL - Tunica, MS - Atlanta, GA
Tampa, FL - Daytona Beach, FL - Orlando, FL

Revisions: **R1 JCR 3/19/20 NEW SITE PLAN & ELEVATIONS**

R2 JCR 3/20/20 ADD SIGN "F"

R3 JK 5/21/20 ADD ADDITIONAL SPECIFICATIONS FOR MONUMENT SIGN (F)

R4 JK 6/05/20 CONFIRM SIGN E IS TO SCALE AND NOTE.

Colors Depicted In This Rendering May Not Match Actual Finished Materials. Refer To Product Samples For Exact Color Match.

Client Approval/Date: _____

Landlord Approval/Date: _____

Account Rep: **Fiona Paul**

Project Manager: **Jeremy Moore**

Drawn By: **Jesthan Delcano/CHC**

UL Underwriters Laboratories Inc. **nec** ELECTRICAL TO USE U.L. LISTED COMPONENTS AND SHALL MEET ALL N.E.C. STANDARDS

ALL ELECTRICAL SIGNS ARE TO COMPLY WITH U.L. 48 AND ARTICLE 600 OF THE N.E.C. STANDARDS, INCLUDING THE PROPER GROUNDING AND BONDING OF ALL SIGNS.

Project / Location: 

Store #: 1366
317 MAIN ST
MADISON, NJ 07940

Job Number: 23-55534-10

Date: September 06, 2019

Sheet Number: 12 Of 16

Design Number: 23-55534-10 R4

This original drawing is provided as part of a planned project and is not to be exhibited, copied or reproduced without the written permission of Federal Heath Sign Company, LLC or its authorized agent. © FHSC