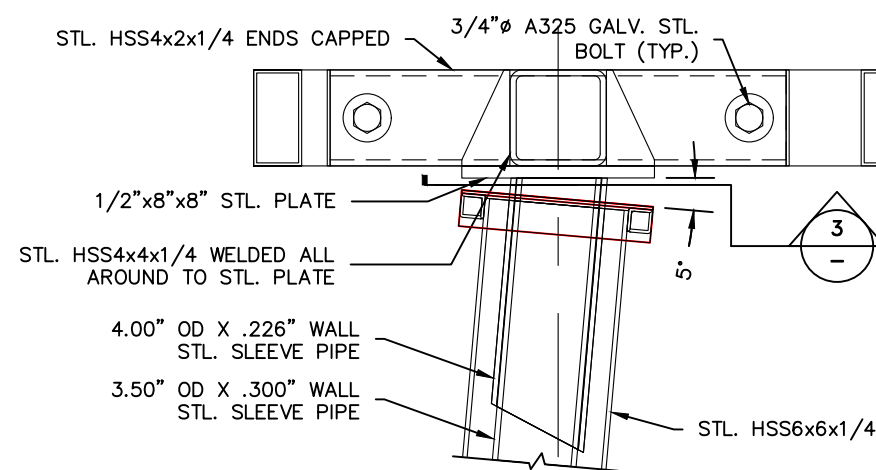
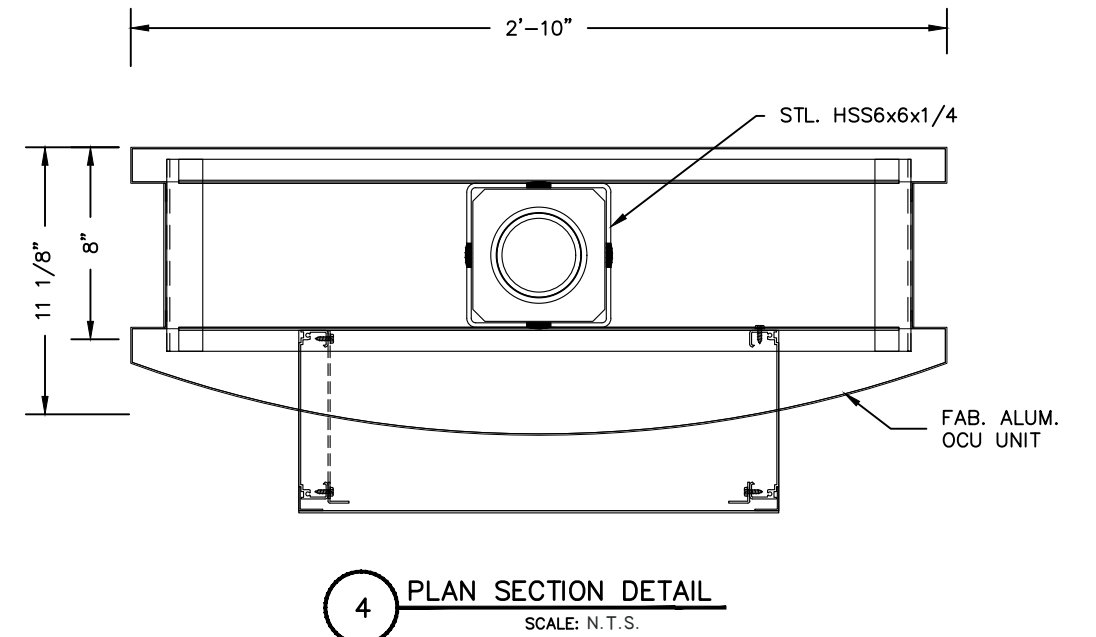
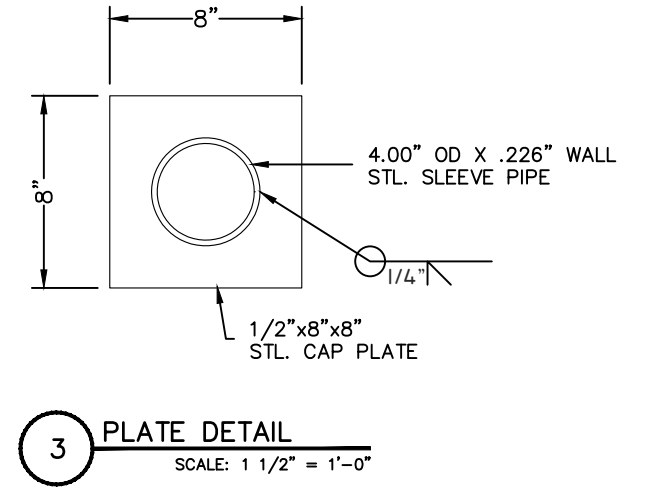
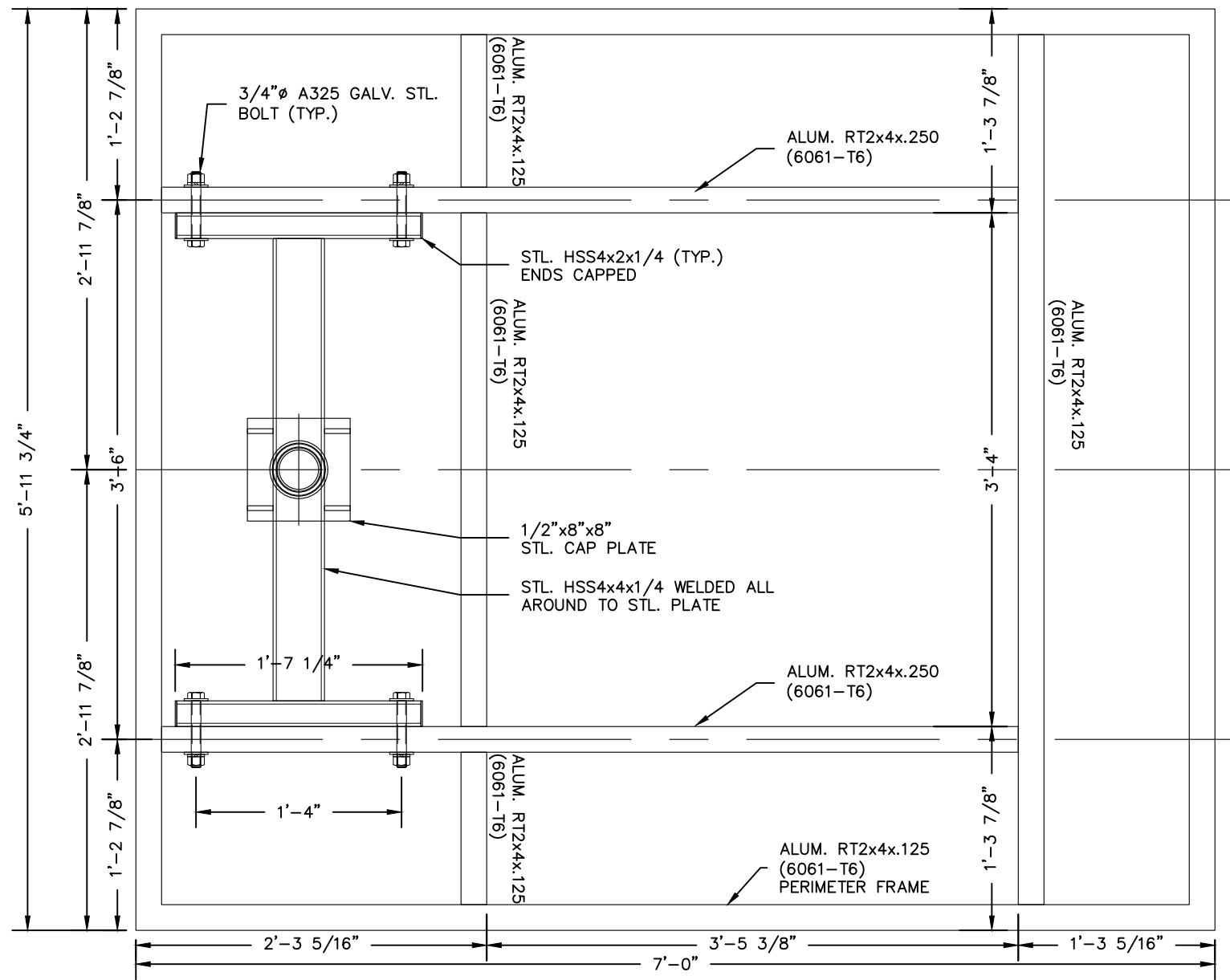


OCU (WOOD GRAIN)  
(W/O VIDEO DISPLAY)  
PART#  
**BK9010FM.OCUWGND**



OCU (WOOD GRAIN)  
(W/O VIDEO DISPLAY)  
PART#  
**BK9010FM.OCUWGND**

FILE NAME: 2019\_BK 9010FM.OCUWGND(NO VIDEO DISPLAY)

**FEDERAL HEATH**  
VISUAL COMMUNICATIONS  
www.FederalHeath.com  
12704 DuPont Circle Tampa, FL 33626  
(813) 855-4415 (800) 284-3284 Fax (813) 854-3037

Manufacturing Facilities:  
Oceanside, CA - Eules, TX - Jacksonville, TX  
Delaware, OH - Racine, WI  
Office Locations:  
Oceanside, CA - Las Vegas, NV - Laughlin, AZ  
Idaho Falls, ID - Eules, TX - Jacksonville, TX - San Antonio, TX  
Houston, TX - Corpus Christi, TX - Indianapolis, IN  
Louisville, KY - Knoxville, TN - Grafton, WI - Delaware, OH  
Willowbrook, IL - Tunica, MS - Atlanta, GA  
Tampa, FL - Daytona Beach, FL - Orlando, FL

Revisions: **R1 JCR 3/19/20 NEW SITE PLAN & ELEVATIONS**  
**R2 JCR 3/20/20 ADD SIGN "F"**  
**R3 JK 5/21/20 ADD ADDITIONAL SPECIFICATIONS FOR MONUMENT SIGN (F)**  
**R4 JK 6/05/20 CONFIRM SIGN E IS TO SCALE AND NOTE.**

Colors Depicted In This Rendering May Not Match Actual Finished Materials. Refer To Product Samples For Exact Color Match.

Client Approval/Date: \_\_\_\_\_  
Landlord Approval/Date: \_\_\_\_\_

Account Rep: **Fiona Paul**  
Project Manager: **Jeremy Moore**  
Drawn By: **Jesthan Delcano/CHC**

**UL** Underwriters Laboratories Inc. **nec** ELECTRICAL TO USE U.L. LISTED COMPONENTS AND SHALL MEET ALL N.E.C. STANDARDS  
ALL ELECTRICAL SIGNS ARE TO COMPLY WITH U.L. 48 AND ARTICLE 600 OF THE N.E.C. STANDARDS, INCLUDING THE PROPER GROUNDING AND BONDING OF ALL SIGNS.

Project / Location: **BURGER KING**  
Store#: 1366  
317 MAIN ST  
MADISON, NJ 07940

Job Number: **23-55534-10**  
Date: **September 06, 2019**  
Sheet Number: **11** Of **16**  
Design Number: **23-55534-10 R4**

This original drawing is provided as part of a planned project and is not to be exhibited, copied or reproduced without the written permission of Federal Heath Sign Company, LLC or its authorized agent. © FHSC