

LIGHTING FIXTURE SCHEDULE									
DESIGNATION	STYLE	DESCRIPTION	MOUNTING	LAMP(S)	DRIVER	VOLTAGE	WATTS	MANUFACTURER	MODEL OR SERIES
PA70	AREA LIGHT POST TOP	DIE-CAST ALUMINUM HOUSING, NO SECONDARY LENS, C3 CAPITAL, TYPE III DISTRIBUTION, PHILADELPHIA CAGE, 1-1/4" TOP SPINNING, GP12 FINIAL, BLACK FINISH, UL LISTED WET LOCATION.	POLE, 12'-0" AFG BASE 0'-6"	6790 LUMEN LEDS, 4,000K, >80CRI	LED	120-277 V	70 W	PEMCO, VISCO POLE	LEX-NL-C3-70W4K-U-3-A3-T4-NK-BK F-D-UNIV-12
PB135	AREA LIGHT POST TOP	DIE-CAST LOW COPPER ALUMINUM ALLOY HOUSING, 3/16" THICK CLEAR FLAT LENS, TYPE I DISTRIBUTION, BLACK FINISH, 4" ROUND ALUMINUM NON-TAPERED POLE WITH DECORATIVE BASE COVER TYPE HBC1, UL LISTED WET LOCATION.	POLE, 12'-0" AFG BASE 2'-0"	4,344 LUMEN LEDS, 4,200K, >80CRI	350mA LED	120 V	135 W	GARDCO	ECF-S-48L-900-NW-G2-AR-3-UNV-CS50-IMR17-HIS-BK
PC135	AREA LIGHT POST TOP	DIE-CAST LOW COPPER ALUMINUM ALLOY HOUSING, 3/16" THICK CLEAR FLAT LENS, TYPE I DISTRIBUTION, BLACK FINISH, 4" ROUND ALUMINUM NON-TAPERED POLE WITH DECORATIVE BASE COVER TYPE HBC1, UL LISTED WET LOCATION.	POLE, 12'-0" AFG BASE 2'-0"	4,344 LUMEN LEDS, 4,200K, >80CRI	350mA LED	120 V	135 W	GARDCO	ECF-S-48L-900-NW-G2-AR-4-UNV-CS50-IMR17-HIS-BK
PD13	FLAG POLE	EXTERNAL STATIONARY ROPE HALYARD, 12" DIAMETER BLACK DOME, 60 FOOT LOW VOLTAGE CORD, BLACK TRUCK FINISH, UL LISTED, FULL, CUTOFF OPTICS, DIRECT BURIED POWER SUPPLY.	FLAG POLE 3.5"	1085 LUMEN LEDS, 5000K, >80CRI	LED	120 - 277 V	13 W	CONCORD AMERICAN FLAGPOLE	SG3
SA25	2 LINEAR	EXTRUDED MARINE GRADE ALUMINUM HOUSING, DIE CAST FLAT END CAP, LIGHT GRAY FINISH, HIGH-IMPACT PEARLESCENT POLYCARBONATE LENS, UL LISTED DAMP LOCATION.	SURFACE	2531 LUMEN LEDS, 4000K, >80CRI	0-10 V, 10% DIMMING DRIVER	120 - 277 V	25 W	KENALL	MLH15
SA50	4 LINEAR	EXTRUDED MARINE GRADE ALUMINUM HOUSING, DIE CAST FLAT END CAP, LIGHT GRAY FINISH, HIGH-IMPACT PEARLESCENT POLYCARBONATE LENS, UL LISTED DAMP LOCATION.	SURFACE	5062 LUMEN LEDS, 4000K, >80CRI	0-10 V, 10% DIMMING DRIVER	120 - 277 V	50 W	KENALL	MLH15
SB25	2 LINEAR	EXTRUDED MARINE GRADE ALUMINUM HOUSING, DIE CAST FLAT END CAP, LIGHT GRAY FINISH, HIGH-IMPACT PEARLESCENT POLYCARBONATE LENS, UL LISTED DAMP LOCATION.	SURFACE CORNER	2531 LUMEN LEDS, 4000K, >80CRI	0-10 V, 10% DIMMING DRIVER	120 - 277 V	25 W	KENALL	MLH15
SC12	1' LINEAR	EXTRUDED ALUMINUM HOUSING, UV STABILIZED POLYCARBONATE LENS, 9 X 29 OPTICS, ADJUSTABLE AIMING FROM 0-180°, UL LISTED WET LOCATION.	SURFACE	923 LUMEN/FT., 4000K, >80CRI	0-10 V, 10% DIMMING DRIVER	120 - 277 V	12 W	ECOSENSE LIGHTING	L50
XA	BATTERY UNIT	DIE-CAST ALUMINUM HOUSING, ACRYLIC LENS, POWDER COAT DARK BRONZE FINISH, FULL CUT-OFF SHIELD.	WALL	1067 LUMEN LEDS, 4300K	LED	120 - 277 V	17.7 W	DUAL-LITE	PGF1

SYMBOL AND ABBREVIATION SCHEDULE		
SYMBOL	ABBR.	DESCRIPTION
---		CONDUIT AND/OR WIRING CONCEALED IN WALL/CEILING
----		CONDUIT AND/OR WIRING CONCEALED IN FLOOR OR UNDERGROUND
→		HOMERUN TO PANELBOARD, NUMBER OF CIRCUITS INDICATED BY QUANTITY OF ARROWS
■	PNLBD OR PNL	PANELBOARD, 120/208V, 208V OR 240V, SURFACE OR FLOOR MOUNTED
⊖		DUPLEX RECEPTACLE
⊖		DUPLEX RECEPTACLE, GROUND FAULT INTERRUPTING
⊖ WP		RECEPTACLE WITH WEATHERPROOF COVER (TYPE AS SHOWN ON DRAWING)
⊖		DUPLEX RECEPTACLE, FLOOR BOX
⊖		DOUBLE DUPLEX RECEPTACLE, FLOOR BOX
○ OR □		LIGHT FIXTURE, IN-GRADE (SITE)
○ OR □		LIGHT FIXTURE, CEILING OR PENDANT/SUSPENDED MOUNTED
⚡		EMERGENCY LIGHTING BATTERY UNIT, PROVIDE NUMBER OF HEADS AS INDICATED (2 HEADS SHOWN)
S ₃		TOGGLE SWITCH - THREE WAY
S _{VIS}		TOGGLE SWITCH - VACANCY SENSOR
<#		DATA OUTLET, # INDICATES NUMBER OF PORTS, BLANK INDICATES (2) PORTS, PROVIDE 1 1/4" CONDUIT WITH PULL STRING TO ABOVE ACCESSIBLE CEILING
		19" WALL MOUNTED CABINET
⊙		PHOTOCELL
⌚		TIME CLOCK
⊞	C-#	LIGHTING CONTACTOR

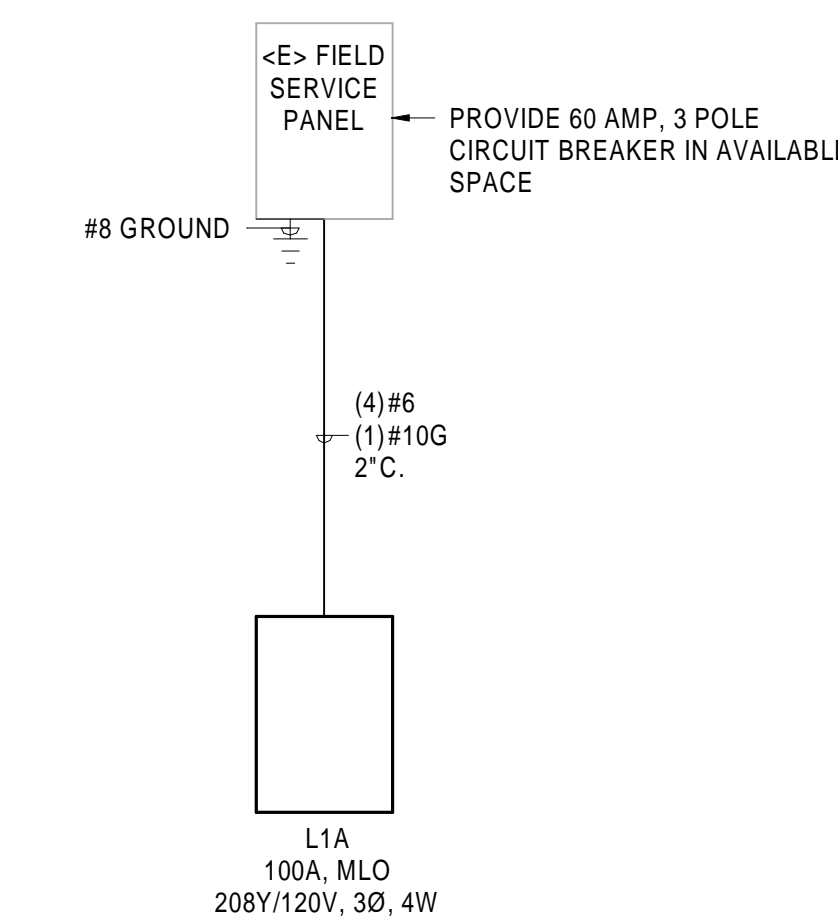
MECHANICAL EQUIPMENT SCHEDULE											
DESIGNATION	LOCATION	HP	MCA	KVA	VOLTS/ PHASE	PANEL	CIRCUIT	WIRE & CONDUIT	DISCONNECT	STARTER	REMARKS
PTHP-1	302 PRESSBOX	-	28.3	-	208/1	L1A	18.20	(2)1#10, (1)1#10G, 3/4"	CORD & PLUG	INTEGRAL	-

MOUNTING HEIGHT SCHEDULE	
RECEPTACLES (FINISHED SPACES)	18" ABOVE FINISHED FLOOR
LIGHT SWITCHES	46" ABOVE FINISHED FLOOR
PANELBOARDS	TOP PROTECTIVE DEVICE TO BE 72" ABOVE FINISHED FLOOR
EMERGENCY BATTERY PACKS (FINISHED SPACES)	18" BELOW FINISHED CEILING TO BOTTOM

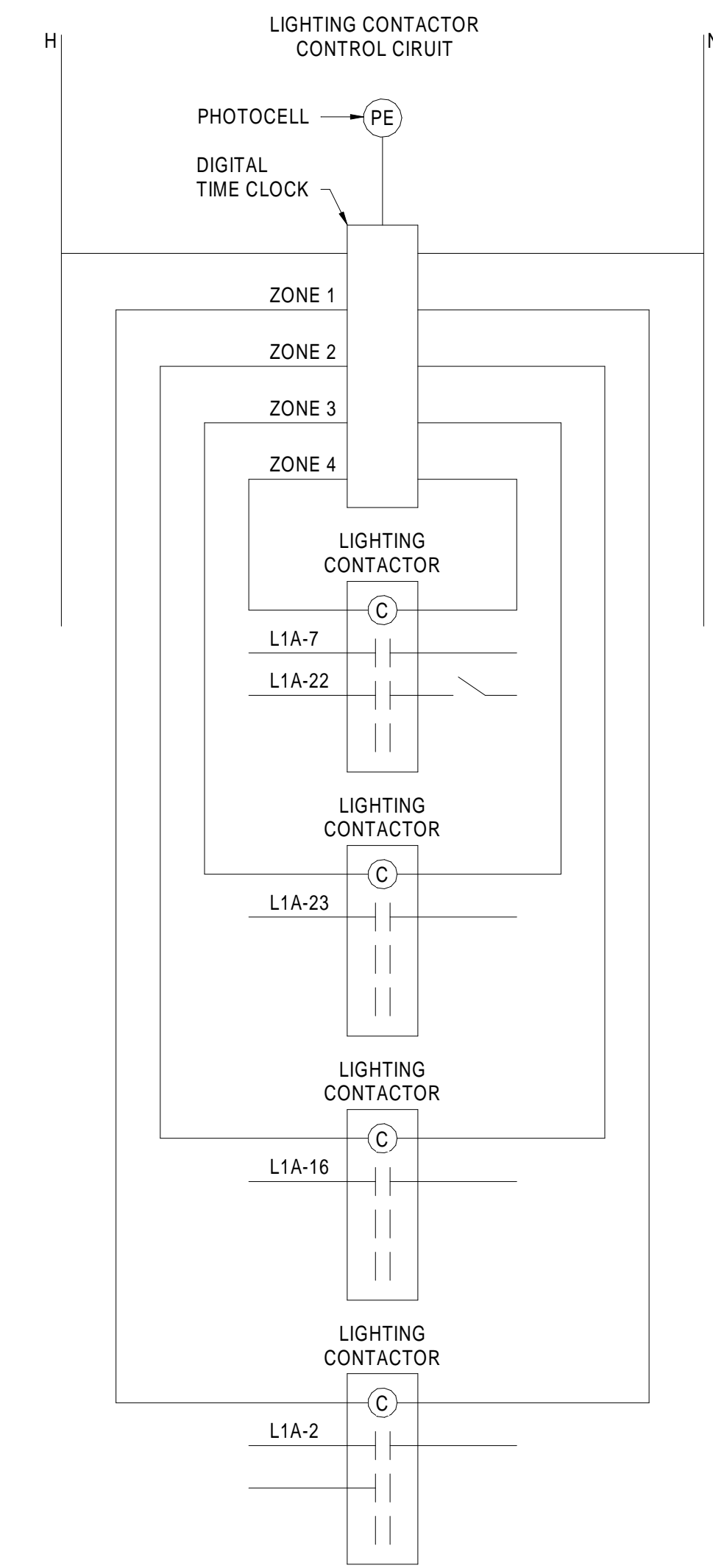
- NOTES (FOR MOUNTING HEIGHT SCHEDULE):
- UNLESS INDICATED OTHERWISE, DEVICE MOUNTING HEIGHTS ARE TO CENTER LINE OF DEVICE.
 - REFER TO FLOOR PLANS FOR DEVICES MOUNTED AT HEIGHTS DIFFERING FROM HEIGHTS SCHEDULED. DEVICES INDICATED ON FLOOR PLANS WITH A 'C' NOTATION SHALL BE MOUNTED AT COUNTER HEIGHT.
 - MOUNTING HEIGHTS OF ALL DEVICES SHALL COMPLY WITH ICC/ANSI A117.1-2009. THIS INCLUDES ALL FORWARD AND SIDE REACH REQUIREMENTS FOR BOTH UNOBSTRUCTED AND OBSTRUCTED REACH RANGES AS APPLICABLE.

PANEL DESIGNATION:		VOLTAGE:	MIN. AIC:	NOTES:
L1A		208Y/120V, 3Ø, 4 WIRE	10,000	1. REFER TO LIGHTING CONTROL WIRING DIAGRAM FOR CONTROL SEQUENCE
MOUNTING:		BUS AMP:	TOTAL POLES:	
SURFACE		100 A	42	
LOCATION:		MAIN BREAKER:	PANEL TYPE:	
PRESSBOX 302		MLO	SQUARE D, NG	

CKT	N	DESCRIPTION	AMP	P	A	B	C	P	AMP	DESCRIPTION	N	CKT	
1		REC - PITCHING MOUND	20 A	1	1,000	150		1	20 A	LTG - DUGOUTS	1	2	
3		REC - DUGOUTS	20 A	1		513	570		1	20 A	LTG - STOR, PRESSBOX, REC - STOR	4	
5		SCOREBOARD	20 A	1			1,340	1,180		1	20 A	REC - SCOREBOARD, BULLPEN	6
7	1	LTG - FLAG POLE	20 A	1	13	1,000				1	20 A	REC - BULLPEN	8
9		REC - BATTING CAGE	20 A	1		1,000	1,000			1	20 A	REC - BATTING CAGE	10
11	1	LTG - PRESSBOX STAIRS	20 A	1				100	270	1	20 A	REC - PRESSBOX	12
13		REC - PRESSBOX	20 A	1	270	270				1	20 A	REC - PRESSBOX	14
15		REC - PRESSBOX	20 A	1			270	60		1	20 A	LTG - LOGO WALL WASH	16
17		REC - PRESSBOX	20 A	1				720	2,943				18
19		LIGHTING CONTACTOR CONTROL CIRCUIT	20 A	1	0	2,943			2	30 A	PTHP-1	20	
21		DIGITAL TIMER SWITCH	20 A	1		0	964			1	20 A	PARKING/ROADWAY LIGHTING	22
23	1	WALKWAY LIGHTING	20 A	1				402	270	1	20 A	REC - PRESSBOX	24
25		REC - PRESSBOX	20 A	1	270	0				1	20 A	SPARE	26
27		SPARE	20 A	1		0	0			1	20 A	SPARE	28
29		SPARE	20 A	1			0	0		1	20 A	SPARE	30
31	--	PREPARED SPACE	--	--	0	0			--	--	PREPARED SPACE	--	32
33	--	PREPARED SPACE	--	--		0	0		--	--	PREPARED SPACE	--	34
35	--	PREPARED SPACE	--	--			0	0		--	PREPARED SPACE	--	36
37	--	PREPARED SPACE	--	--	0	0			--	--	PREPARED SPACE	--	38
39	--	PREPARED SPACE	--	--		0	0		--	--	PREPARED SPACE	--	40
41	--	PREPARED SPACE	--	--			0	0		--	PREPARED SPACE	--	42
					5,916 VA	4,377 VA	7,225 VA						
					TOTAL CONNECTED LOAD:		17,518 VA						
					TOTAL DEMAND LOAD:		15,752 VA						



1 SINGLE LINE DIAGRAMS
SCALE: NONE



- NOTES:
- ZONE 1: DRIVEWAY/PARKING LIGHTING, FLAGPOLE - PHOTOCELL ON AND PHOTOCELL OFF, DRIVEWAY/PARKING FIXTURES HAVE INTEGRAL MOTION SENSOR TO REDUCE LIGHT OUTPUT TO 50% AFTER 20 MINUTES OF NO ACTIVITY. FLAGPOLE FIXTURE CONTROLLED BY ADDITIONAL DIMMER SWITCH.
 - ZONE 2: PATHWAY PHOTOCELL ON AND TIME CLOCK OFF (12:00 AM).
 - ZONE 3: LOGO WALL WASH LIGHTS - PHOTOCELL ON AND TIME CLOCK OFF (12:00 AM).
 - ZONE 4: DUGOUTS, EXTERIOR LIGHTS - PHOTOCELL ON AND TIME CLOCK OFF (12:00 AM).

2 LIGHTING CONTROLS
SCALE: NONE

NOT FOR CONSTRUCTION



DERCK & REDSON
CAMPUSES DOWNTOWNS ATHLETICS
38 SOUTH BROAD STREET, SUITE 202, BELLEVILLE, PA 19103
301 N. SPRING STREET, SUITE 202, BELLEVILLE, PA 19103
(610) 251-0200

SCHEDULES
AMENDED PRELIMINARY / FINAL SITE DEVELOPMENT PLAN
FAIRLEIGH DICKINSON ATHLETIC FIELDS
FAIRLEIGH DICKINSON UNIVERSITY
COT 6 / BLOCK 101 - ZONE 1 UNIVERSITY
2801 W. STATE ST. SUITE 200
MADISON BOROUGH, MORRIS COUNTY, NEW JERSEY

REVISIONS:

No.	DATE	DESCRIPTION OF CHANGES
1	04/15/20	ADDITIONAL LIGHTING INFORMATION

DATE: 03/26/2020
PROJECT #: 190450
DRAWN BY: JST
PK: BEP
PIC: BEP

DRAWING NO.

E601