



GEOFFREY L. COGAN
 Architect, Planner, AIA, NJ CERT 21A00065600
 8 KING STREET, STE. A, ROXBOROUGH, N.J. 07068
 TEL: (908) 262-3533 FAX: (908) 262-0474
 EMAIL: GCOGAN@GFCAL.COM

DERCK & REDSON
 BETTING
 CAMPUSES DOWNTOWN ATHLETICS
 38 SOUTH BRAD STREET, LINTZ PA 17543
 3011 SPRING STREET, SUITE 200, BELLEVILLE PA 19823
 WINDYBUSH@DERCKREDSON.COM (717) 263-2224

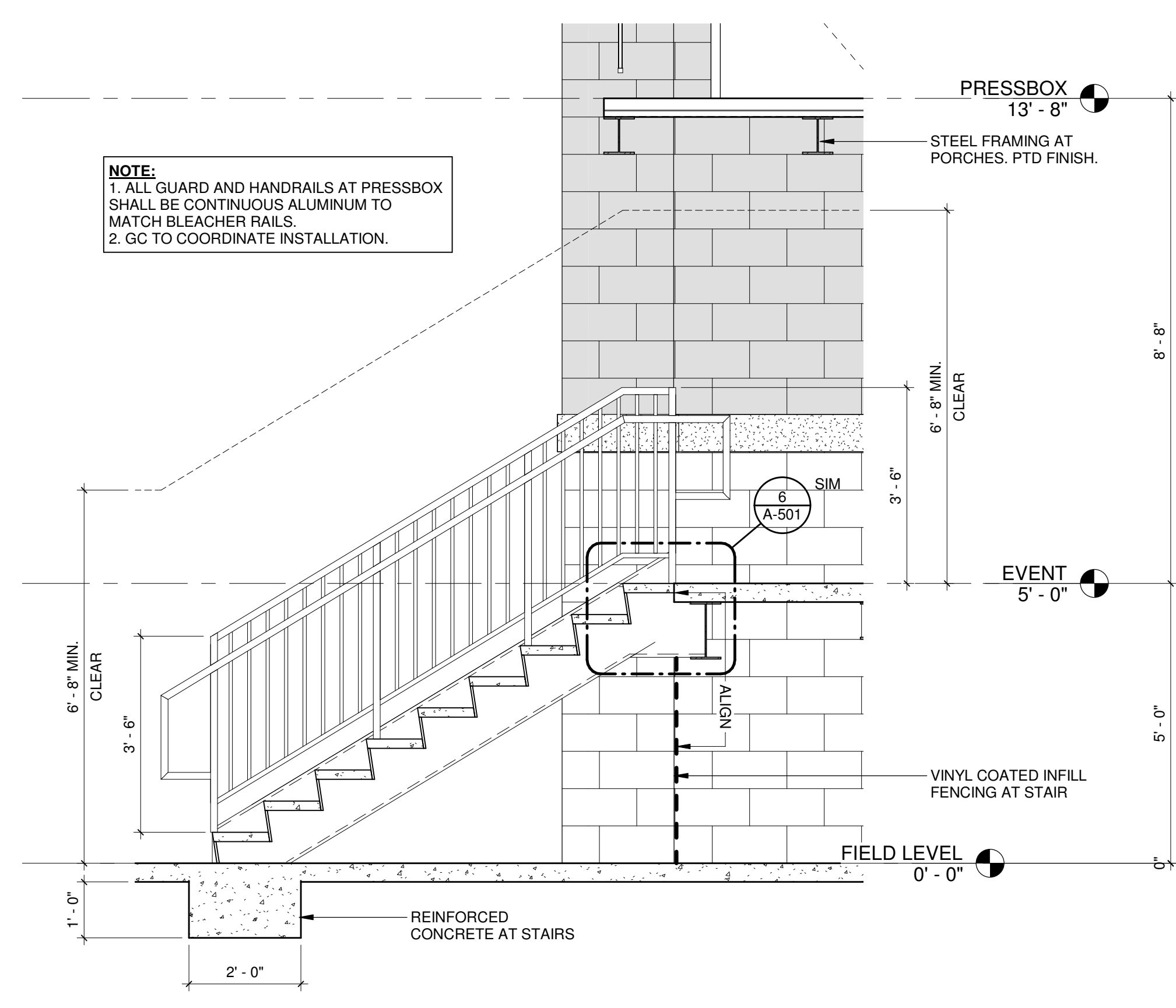
FAIRLEIGH DICKINSON UNIVERSITY
 MADISON BOROUGH, MORRIS COUNTY, NEW JERSEY

REVISIONS:

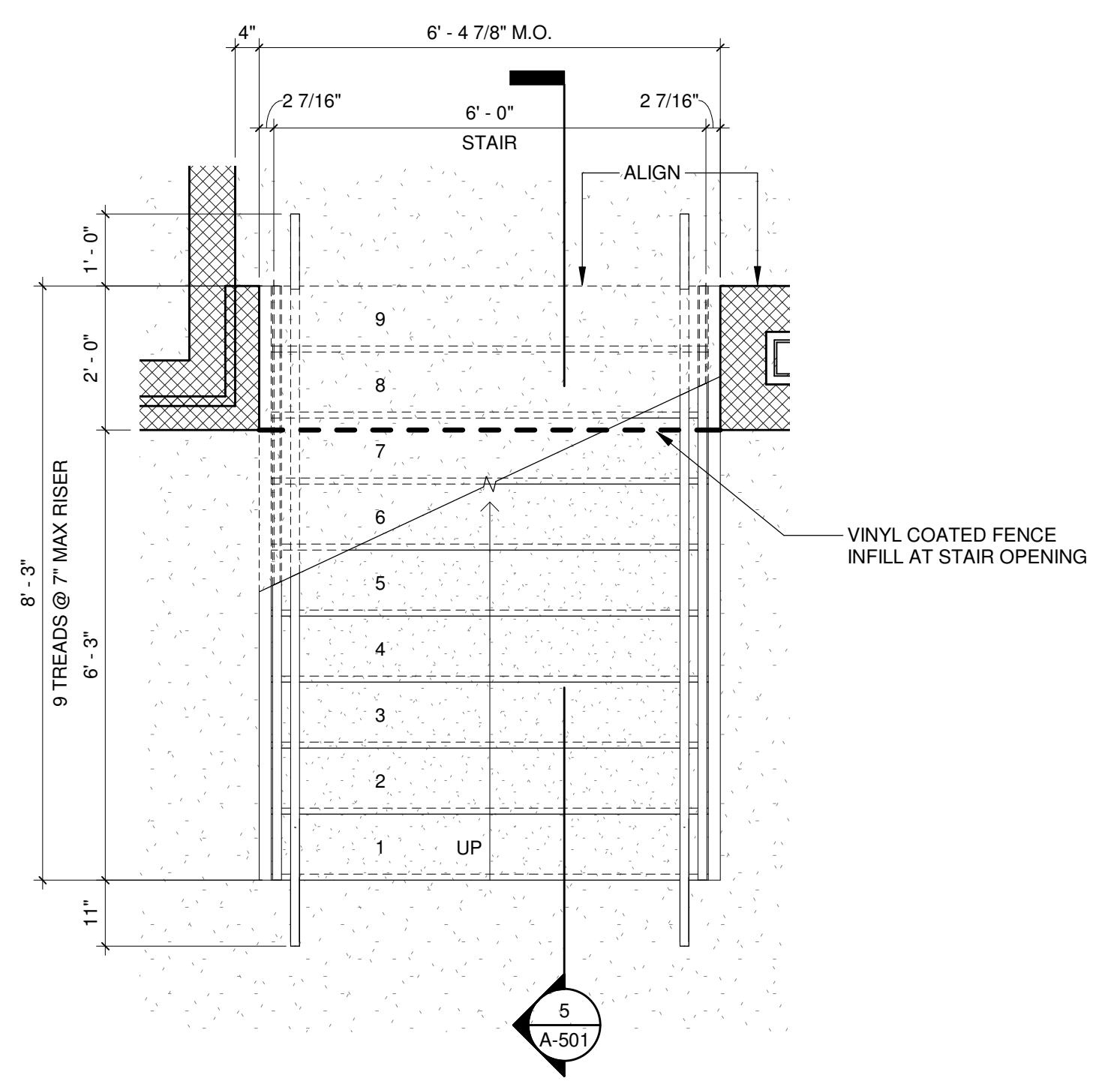
No.	DATE	DESCRIPTION OF CHANGES

DATE: 03/08/2020
 PROJECT #: 19A50
 DRAWN BY: JTW
 PNL: JLL
 PIC: SES

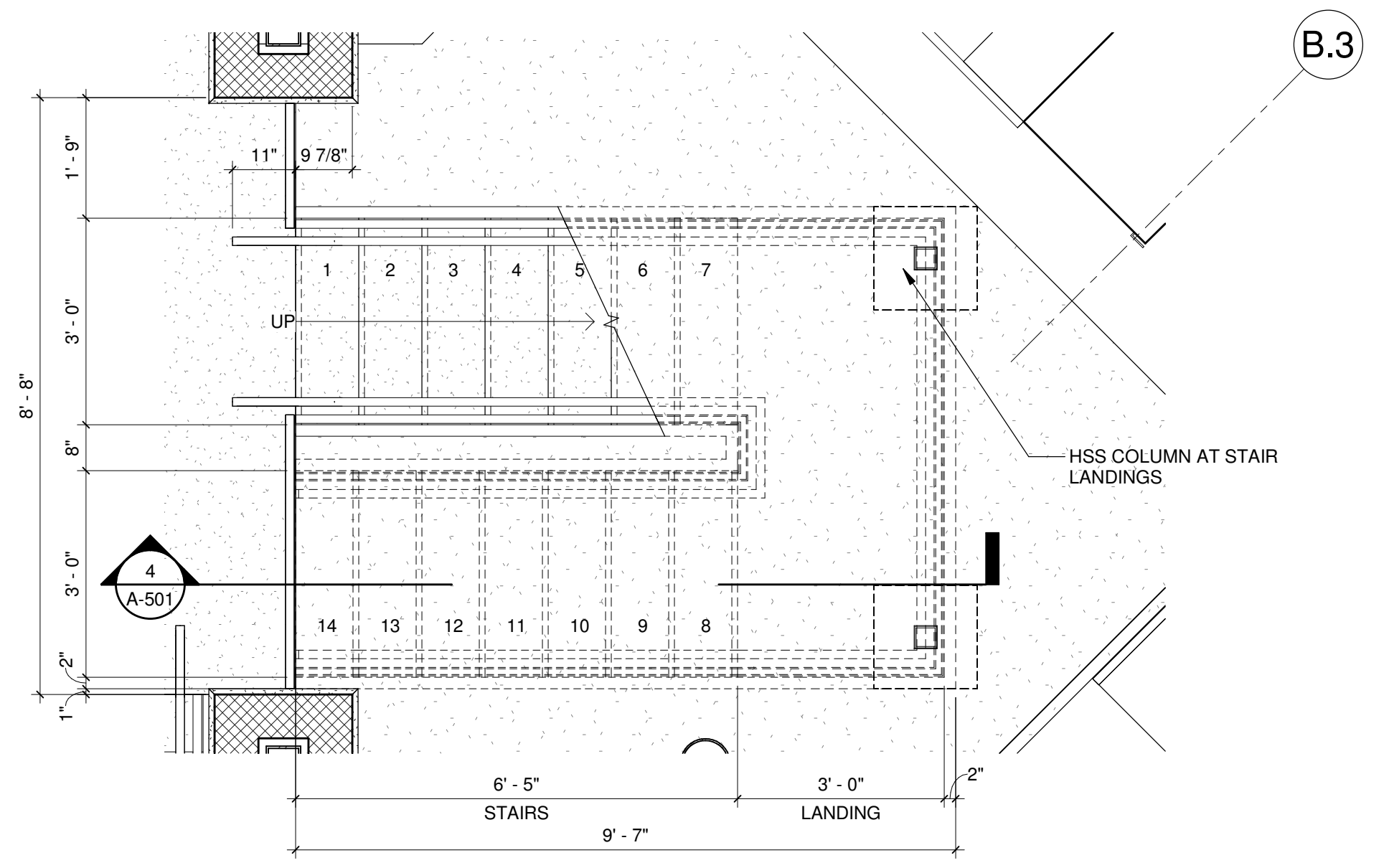
DRAWING NO. **A-501**



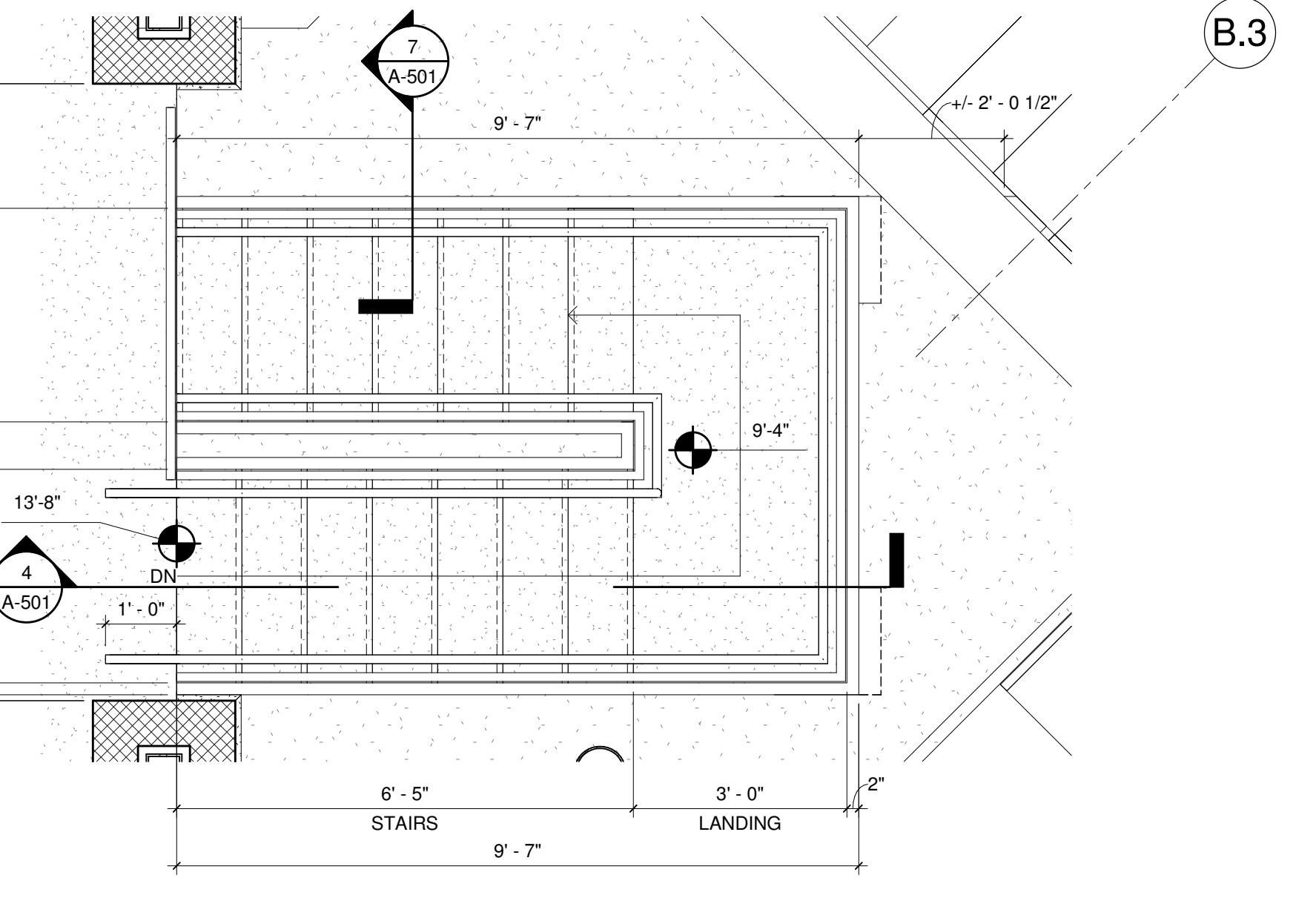
5 ENTRY STAIR SECTION
 1/2" = 1'-0"



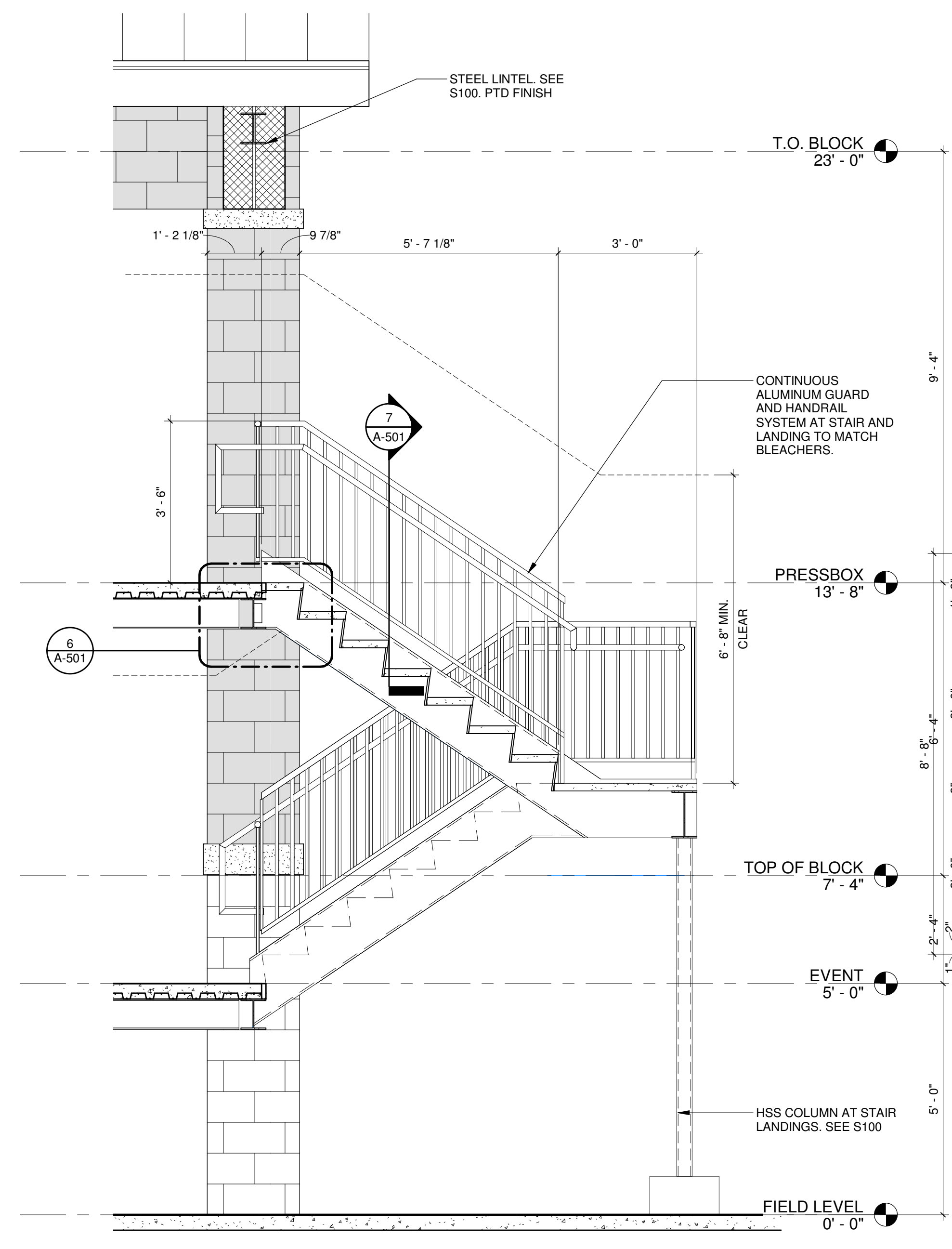
3 ENLARGED STAIR PLAN - AT GRADE
 1/2" = 1'-0"



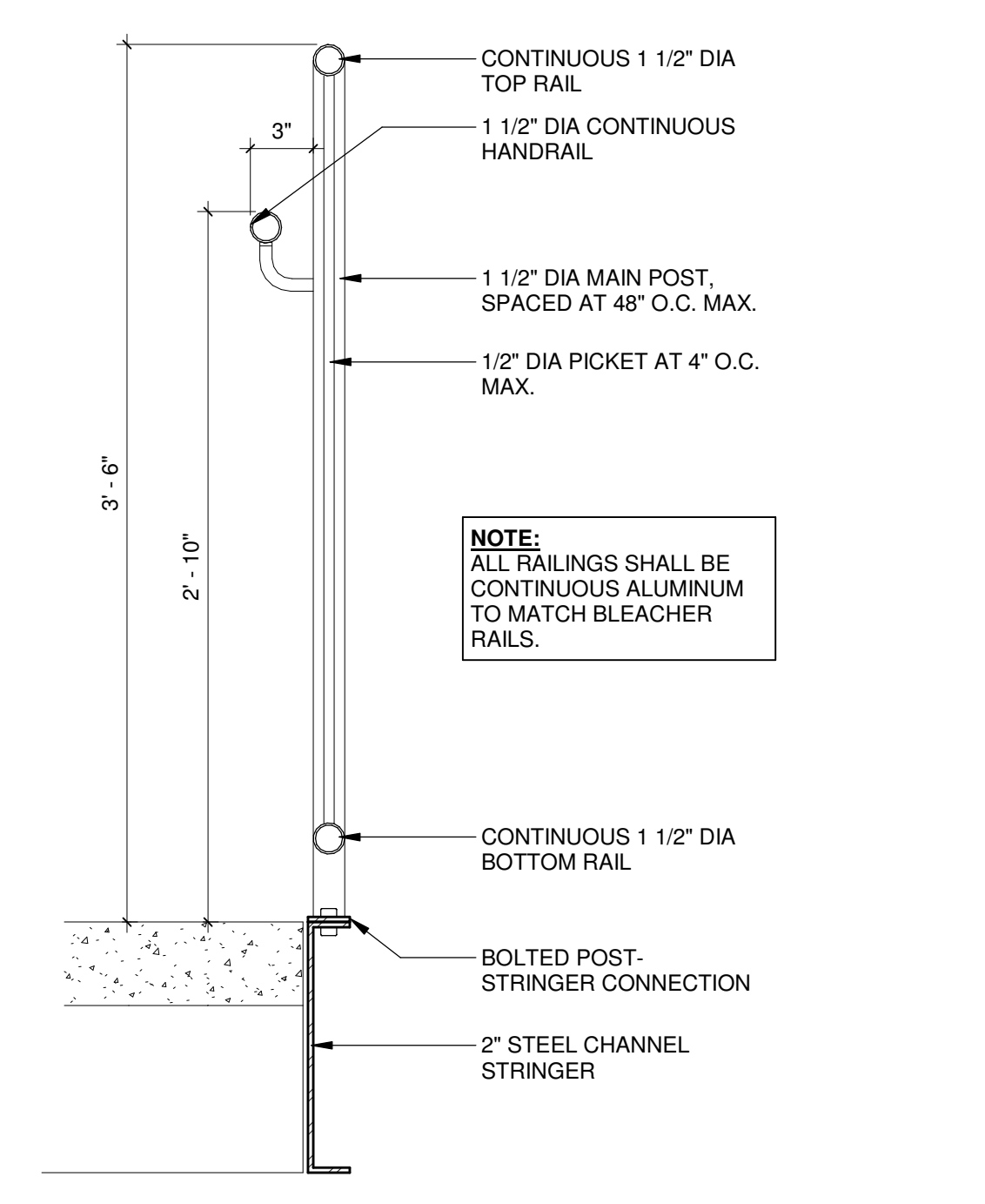
2 ENLARGED STAIR PLAN - EVENT LEVEL
 1/2" = 1'-0"



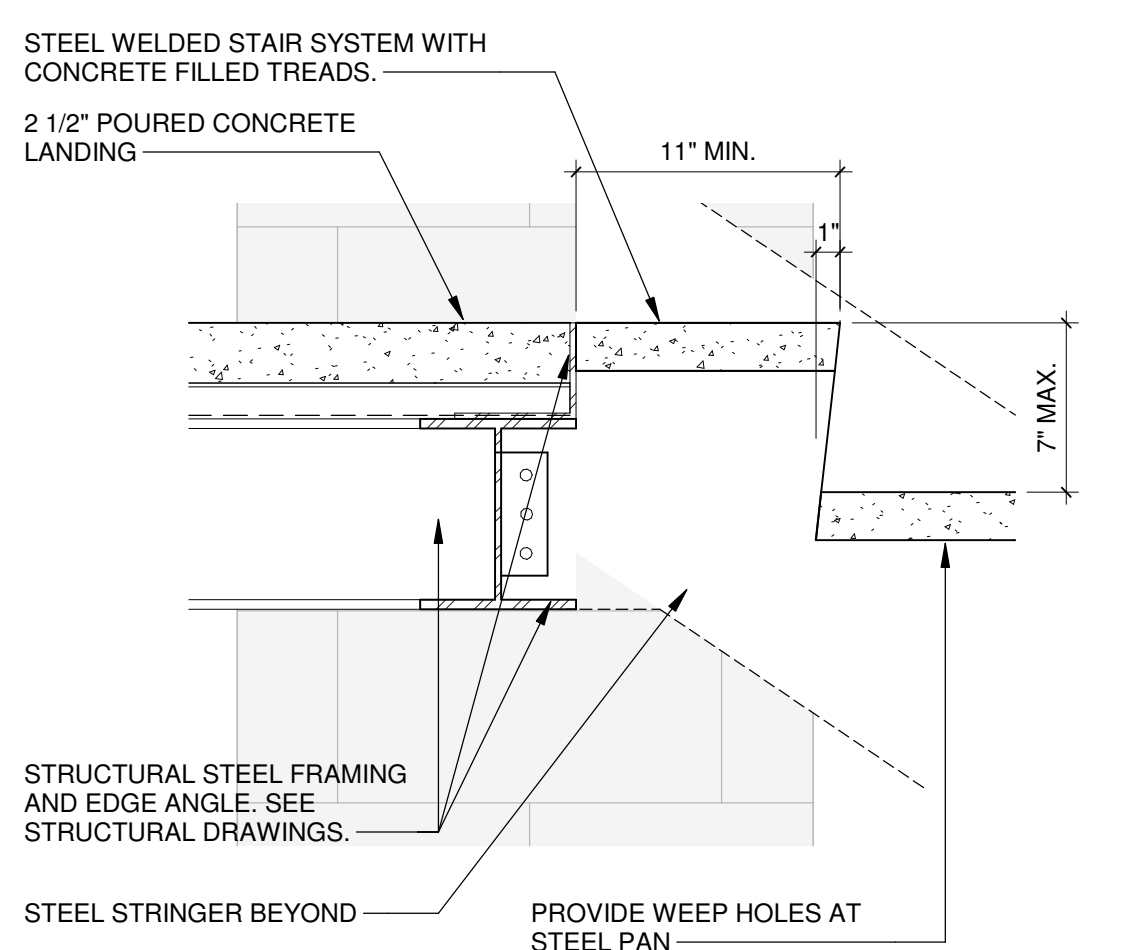
1 ENLARGED STAIR PLAN - SECOND FLOOR
 1/2" = 1'-0"



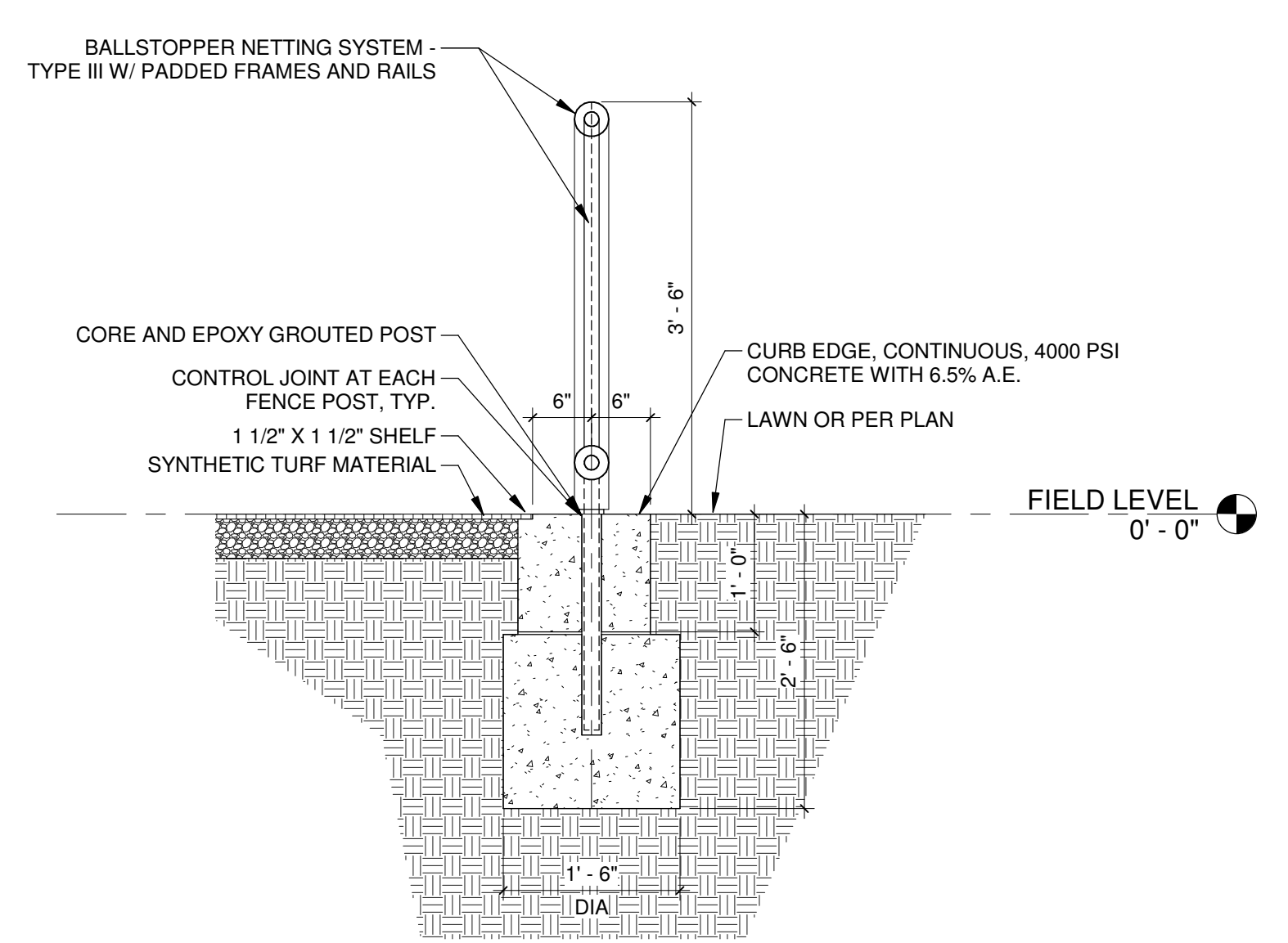
4 STAIR SECTION
 1/2" = 1'-0"



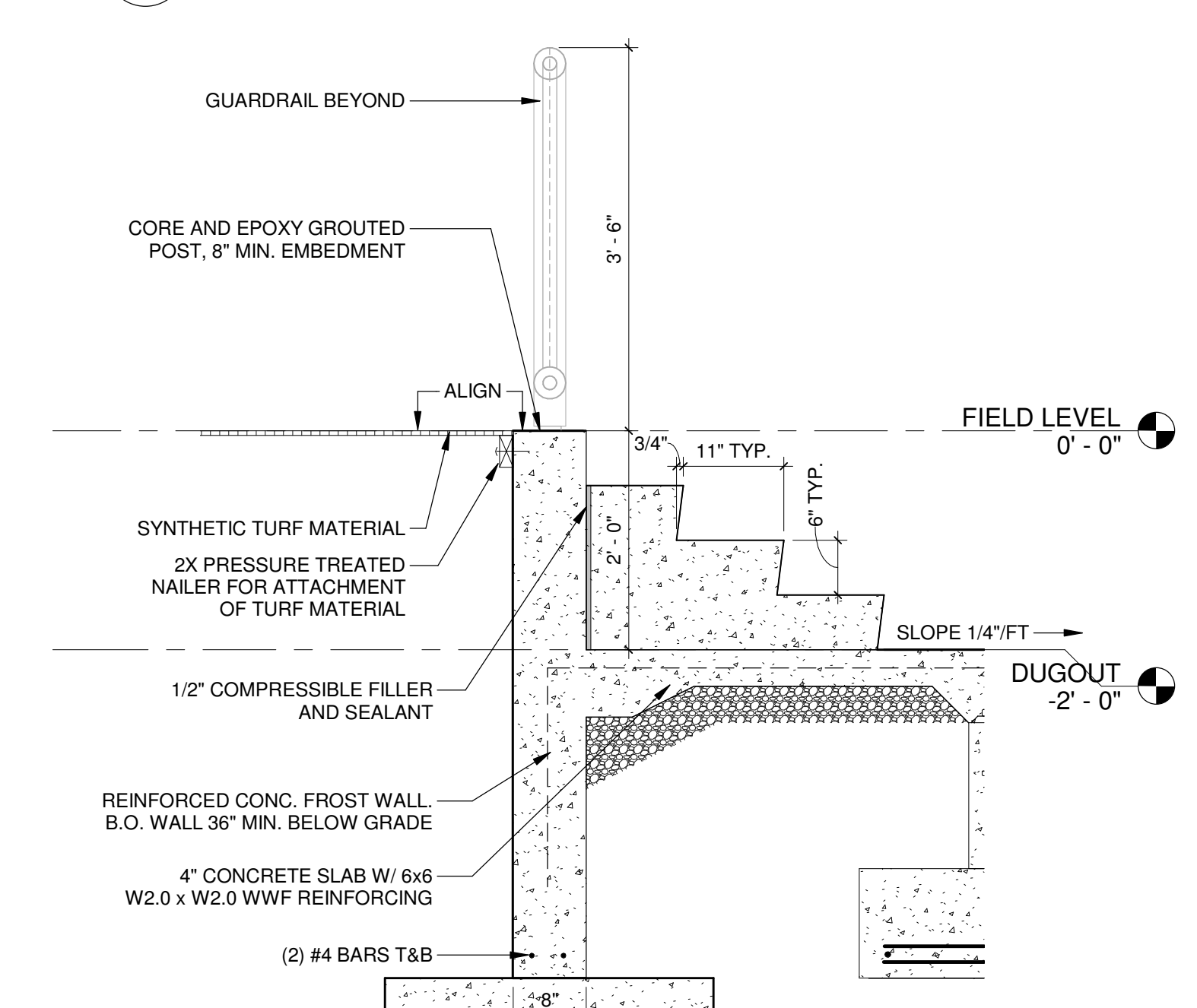
7 HANDRAIL DETAIL
 1 1/2" = 1'-0"



6 STAIR TREAD DETAIL
 1 1/2" = 1'-0"



9 CURB DETAIL AT DUGOUTS
 3/4" = 1'-0"



8 STAIR SECTION AT DUGOUTS
 3/4" = 1'-0"