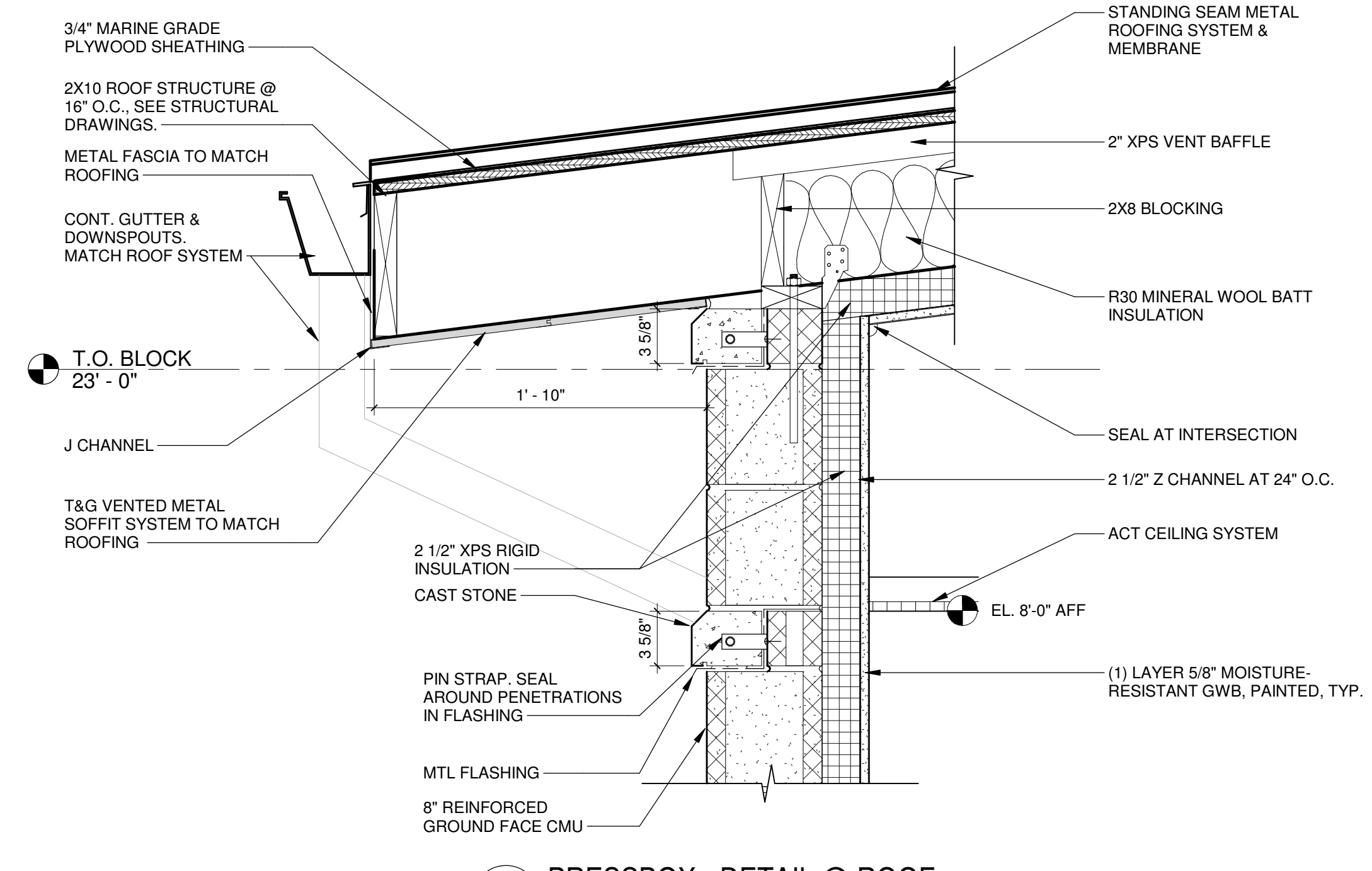


DERCK REDSON
Architect, Planner, AIA, NJ CERT. 21A00065600
8 WING STREET, STE. A, ROXBOROUGH, N.J. 07068
EMAIL: GCOGAN@PAL.COM
WWW.DERCKREDSON.COM (732)833-0254

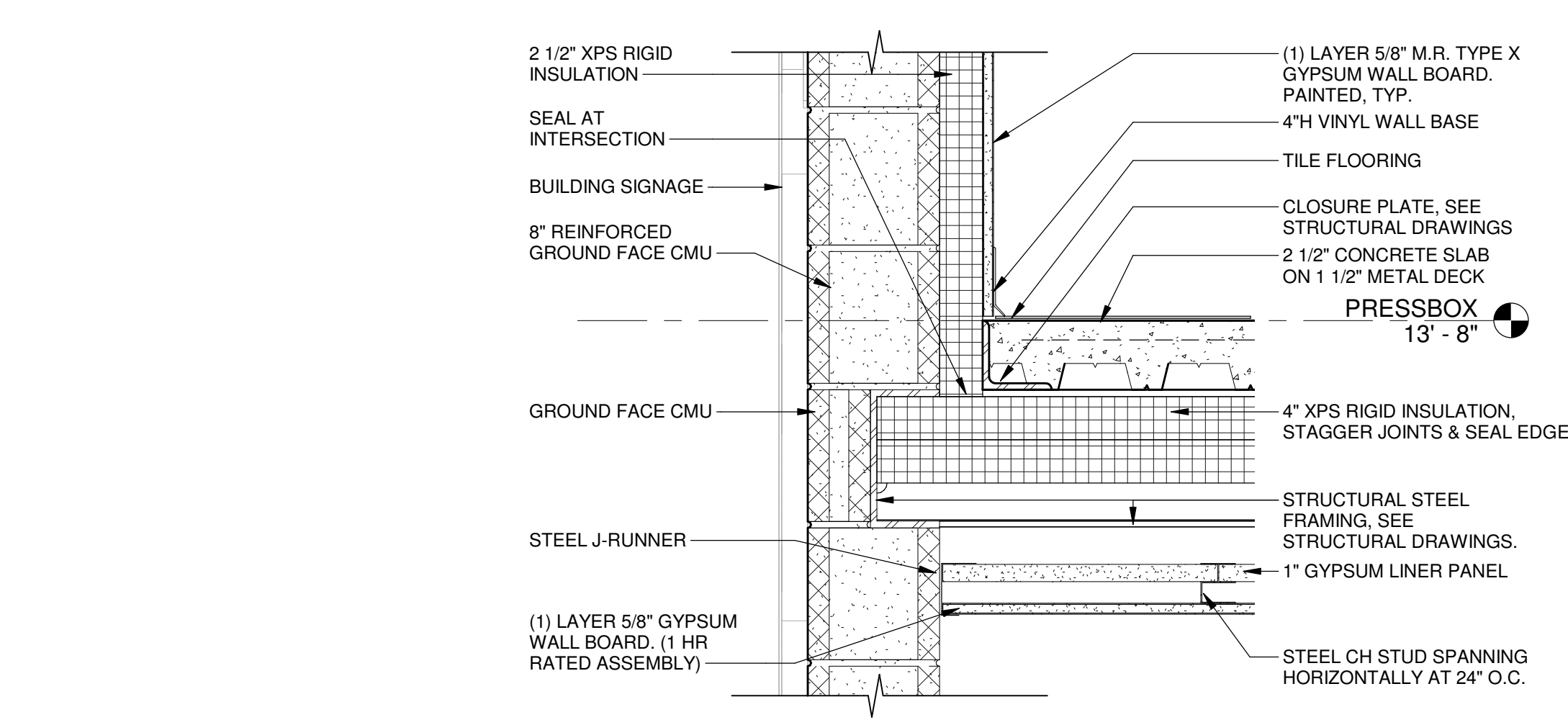
FAIRLEIGH DICKINSON UNIVERSITY
1076 BLOOMINGTON AVE., UNIVERSITY
Rm 281
300 N. SPRING STREET, SUITE 202, BELLEVILLE, PA 18803
WWW.FDU.EDU

NO.	DATE	DESCRIPTION OF CHANGES

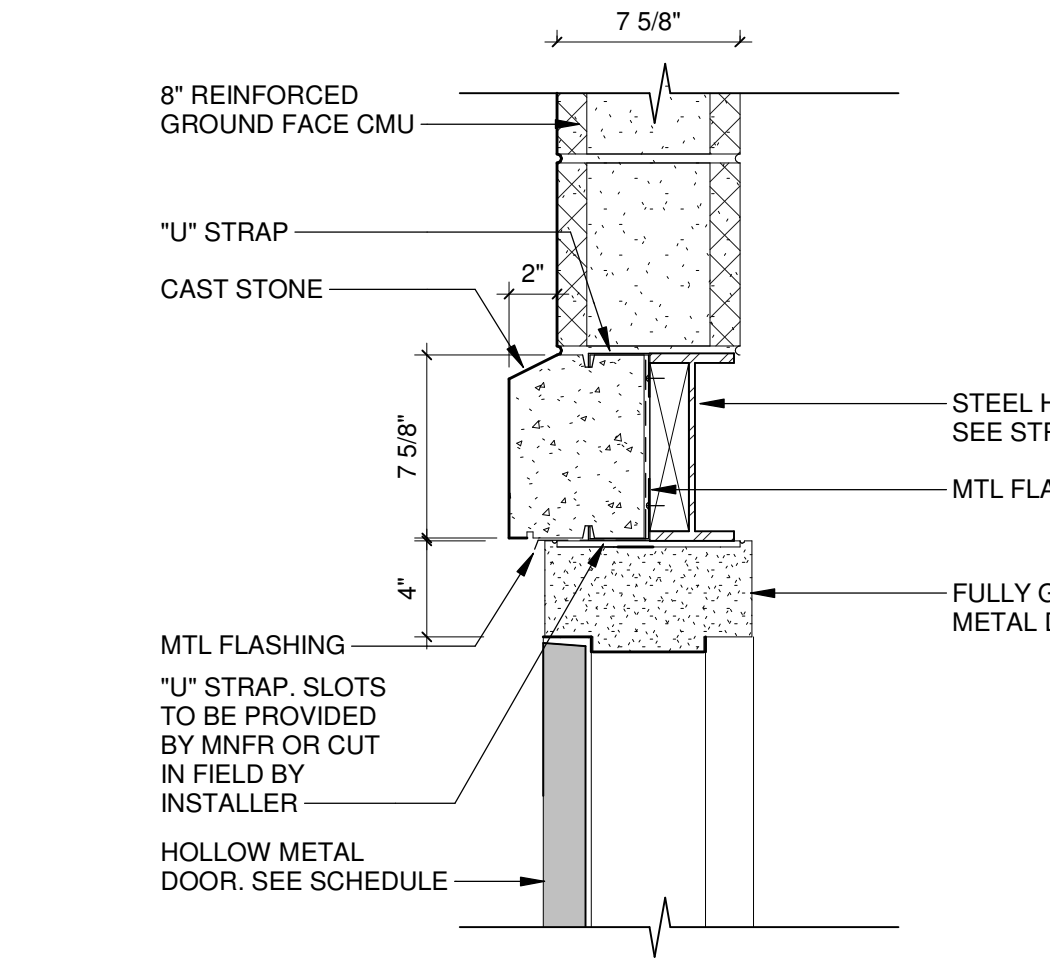
DRAWING NO. **A-401**



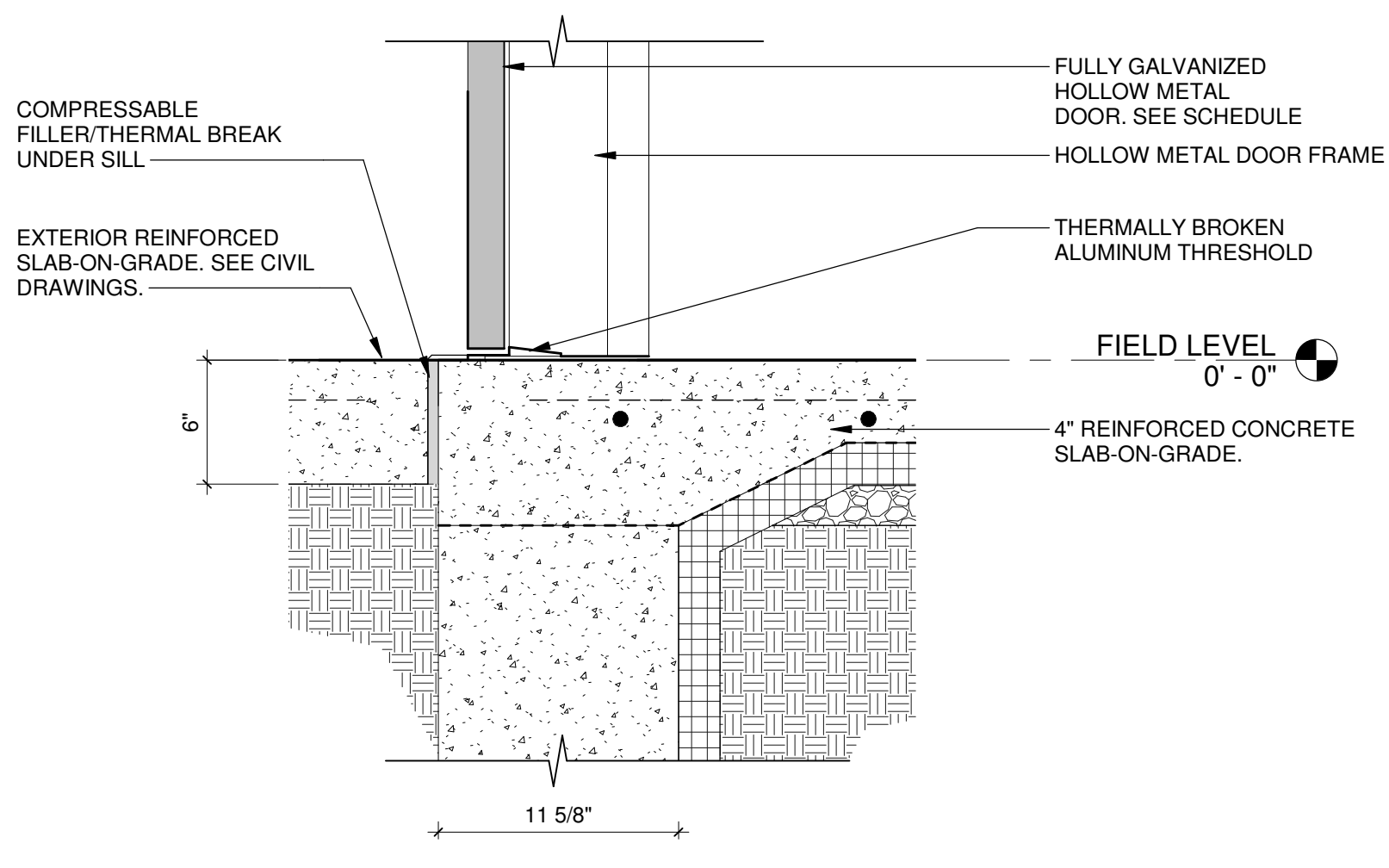
6 PRESSBOX - DETAIL @ ROOF
1 1/2" = 1'-0"



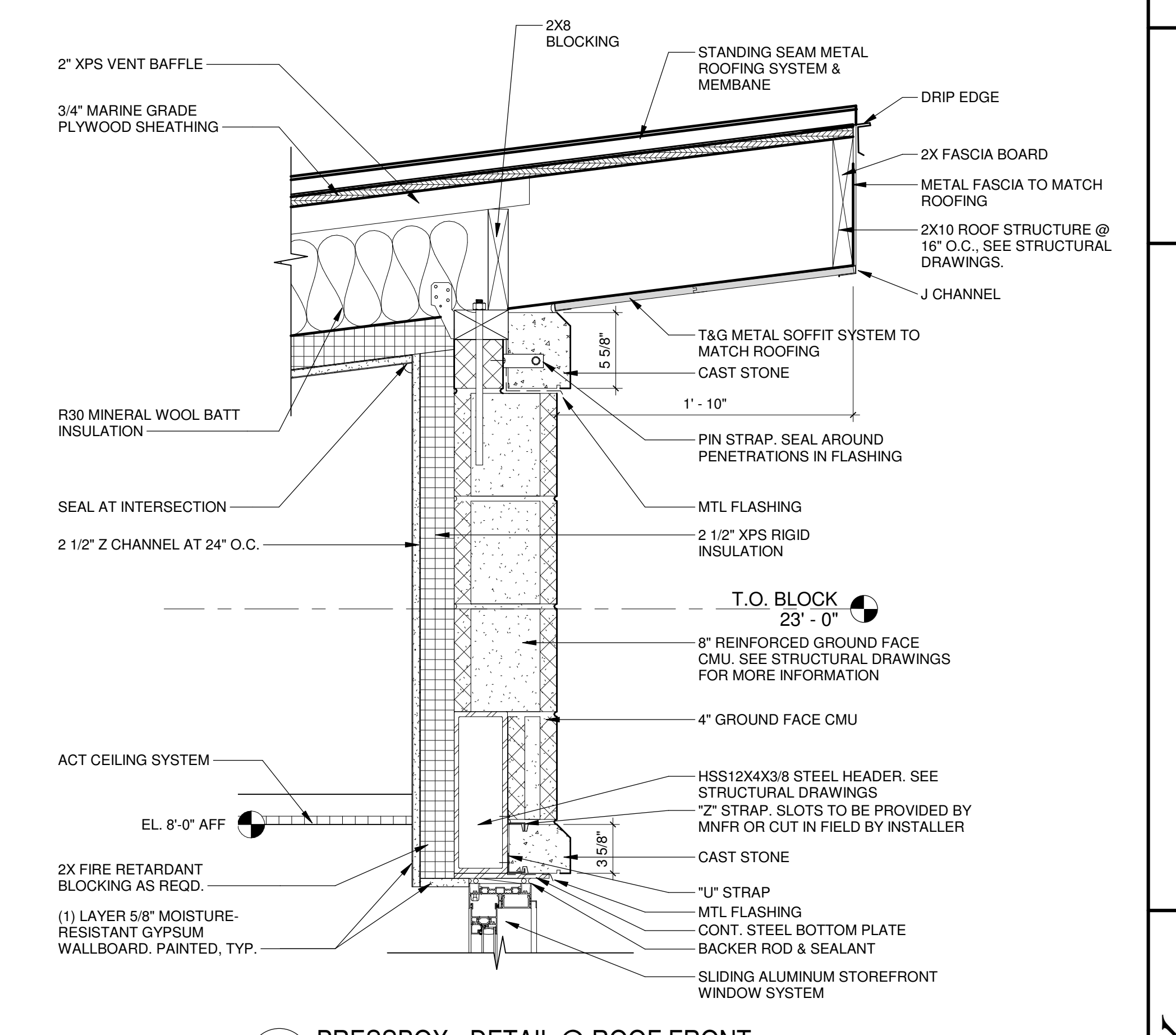
4 PRESSBOX - DETAIL @ FLOOR
1 1/2" = 1'-0"



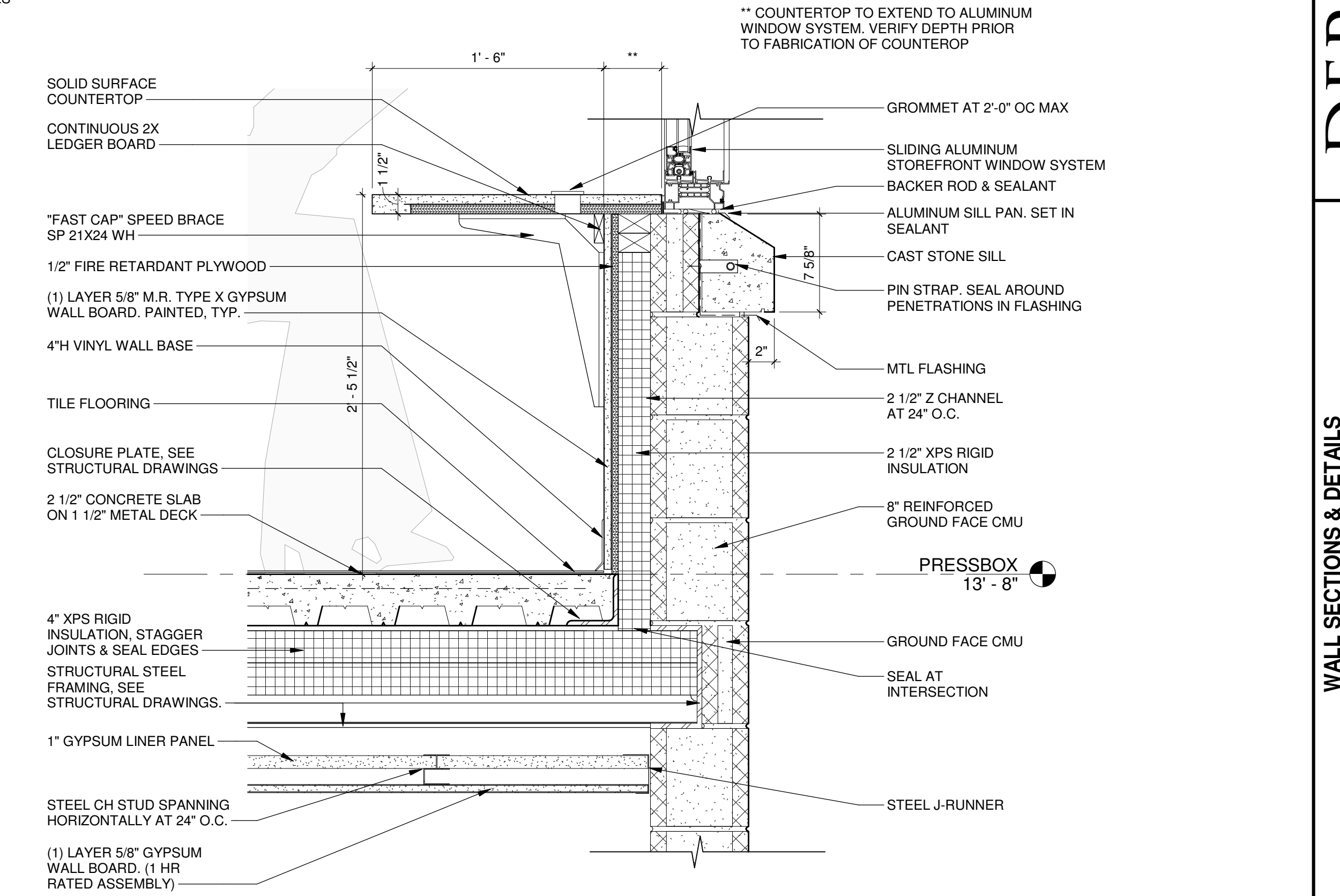
3 PRESSBOX - DETAIL @ DOOR HEAD
1 1/2" = 1'-0"



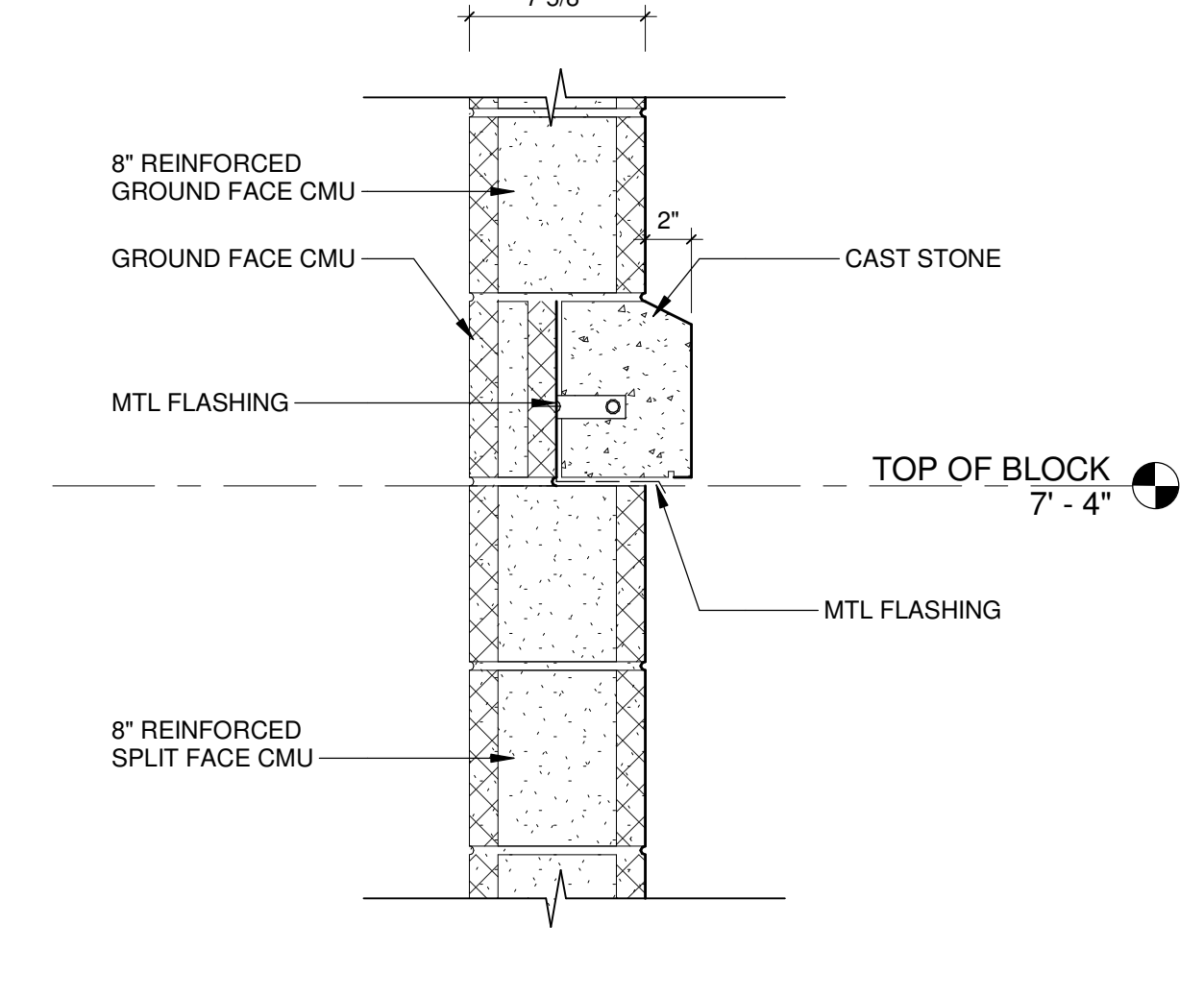
5 PRESSBOX - DETAIL @ GRADE
1 1/2" = 1'-0"



7 PRESSBOX - DETAIL @ ROOF FRONT
1 1/2" = 1'-0"



2 PRESSBOX - DETAIL @ COUNTER
1 1/2" = 1'-0"



1 PRESSBOX - DETAIL @ CAST STONE
1 1/2" = 1'-0"