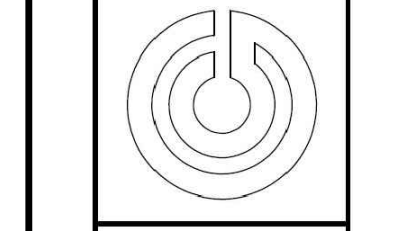




PROFESSIONAL ENGINEER
STATE OF NEW JERSEY
NO. XXXXXXXX



GEOFFREY L. GOGAN
Architect, Planner, A.I.A., N.J. CERT. 21A00984600
OFF: 973.292.2525
8 KING STREET, STE. A, ROSELAND, N.J. 07068
FAX: 973.292.0564
EMAIL: GOGAN@GALLOTTI.COM
WWW.GEOFFREYLAGOGAN.COM

DERCK & REDSON
ARCHITECTS
33 SOUTH BROAD STREET, SUITE 1750
MADISON, NJ 07940
WWW.DERCKANDREDSON.COM | (732) 828-2564

**AMENDED PRELIMINARY / FINAL SITE DEVELOPMENT PLAN
FAIRLEIGH DICKINSON ATHLETIC FIELDS
FAIRLEIGH DICKINSON UNIVERSITY
LOT 6 / BLOCK 101 - ZONE: UNIVERSITY
285 MADISON AVENUE, MADISON, NJ 07940
MADISON BOROUGH, MORRIS COUNTY, NEW JERSEY**

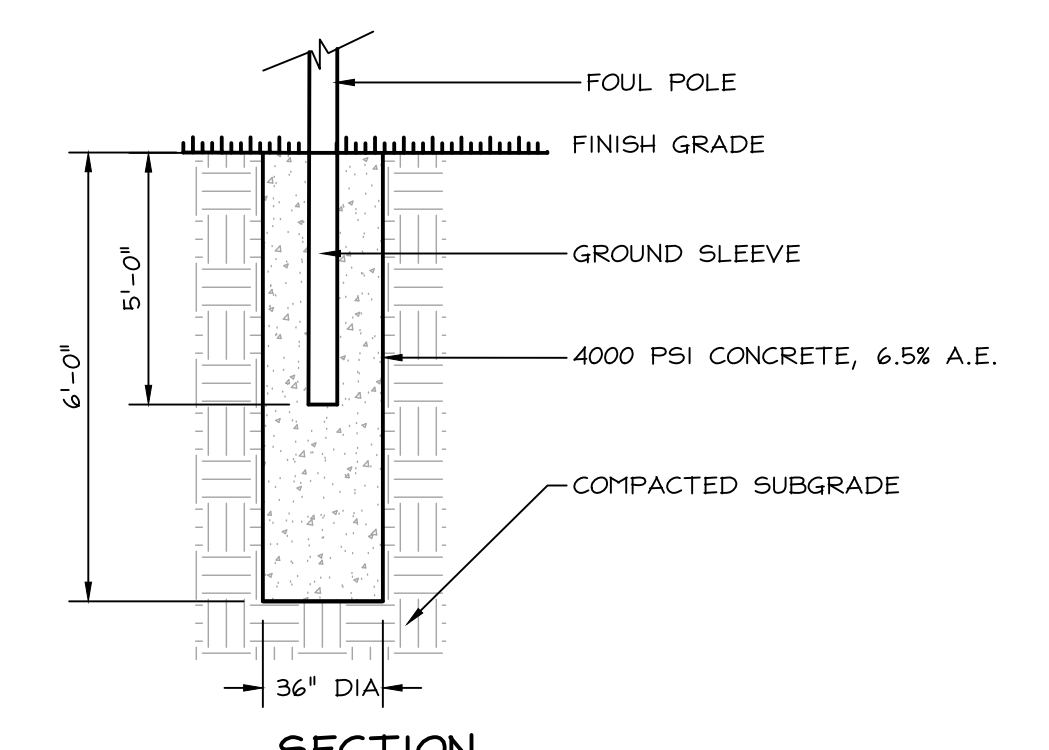
DETAILS

REVISIONS:		
No.	DATE	DESCRIPTION OF CHANGES

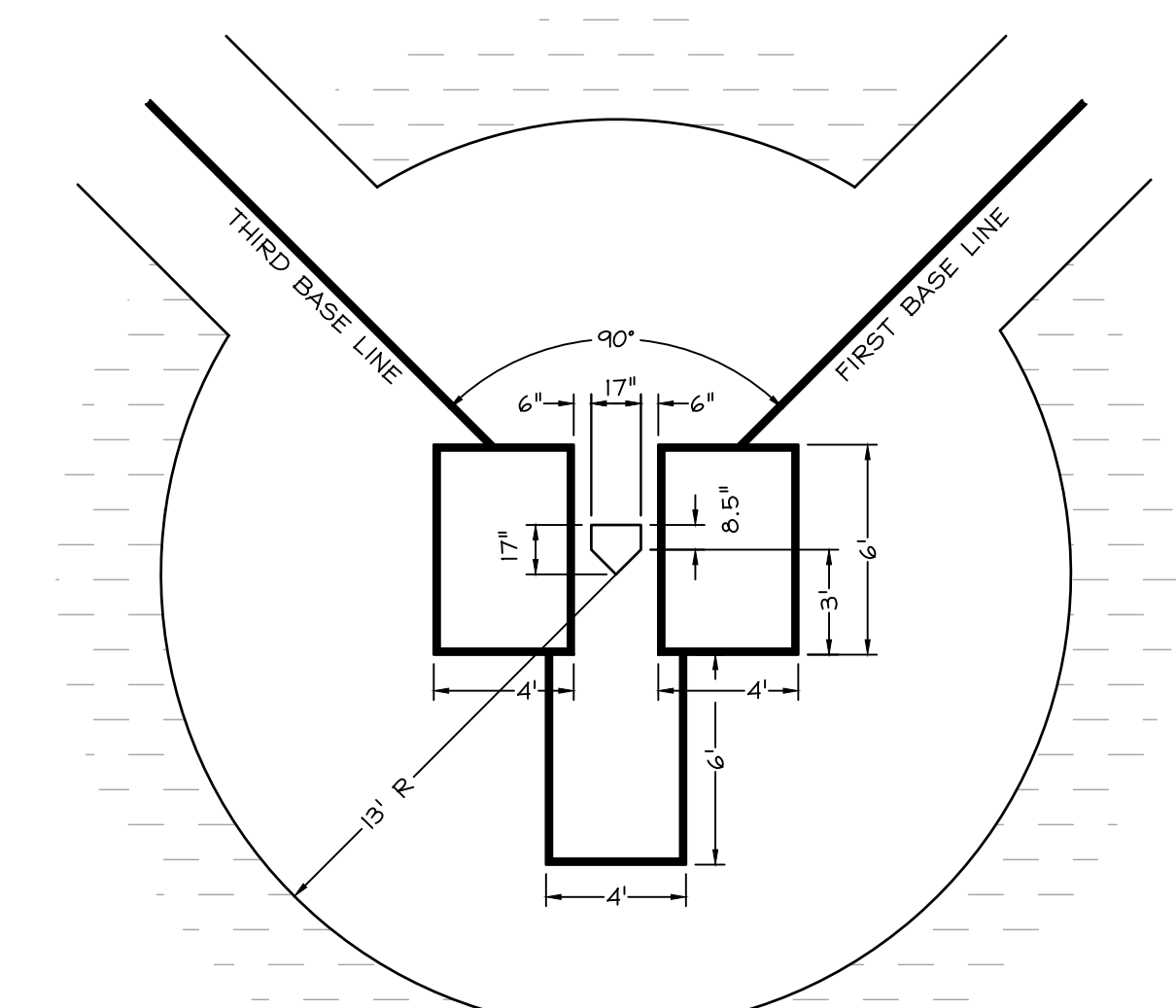
DATE: 03/02/2020	PROJECT # 190450	DRAWN BY: JML	SCALE: 1"=1'-0"
PROJECT # 190450	DRAWN BY: JML	SCALE: 1"=1'-0"	SCALE: 1"=1'-0"
PROJECT # 190450	DRAWN BY: JML	SCALE: 1"=1'-0"	SCALE: 1"=1'-0"
PROJECT # 190450	DRAWN BY: JML	SCALE: 1"=1'-0"	SCALE: 1"=1'-0"

C-502
P 20-002

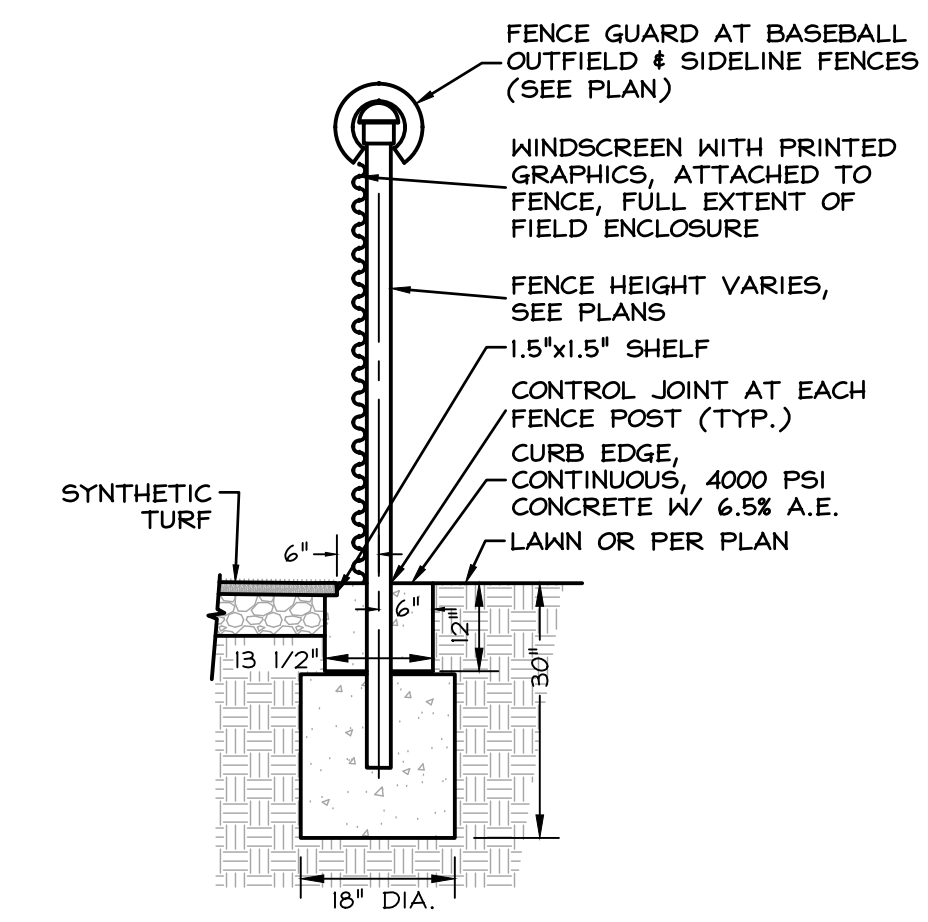
NOT FOR CONSTRUCTION



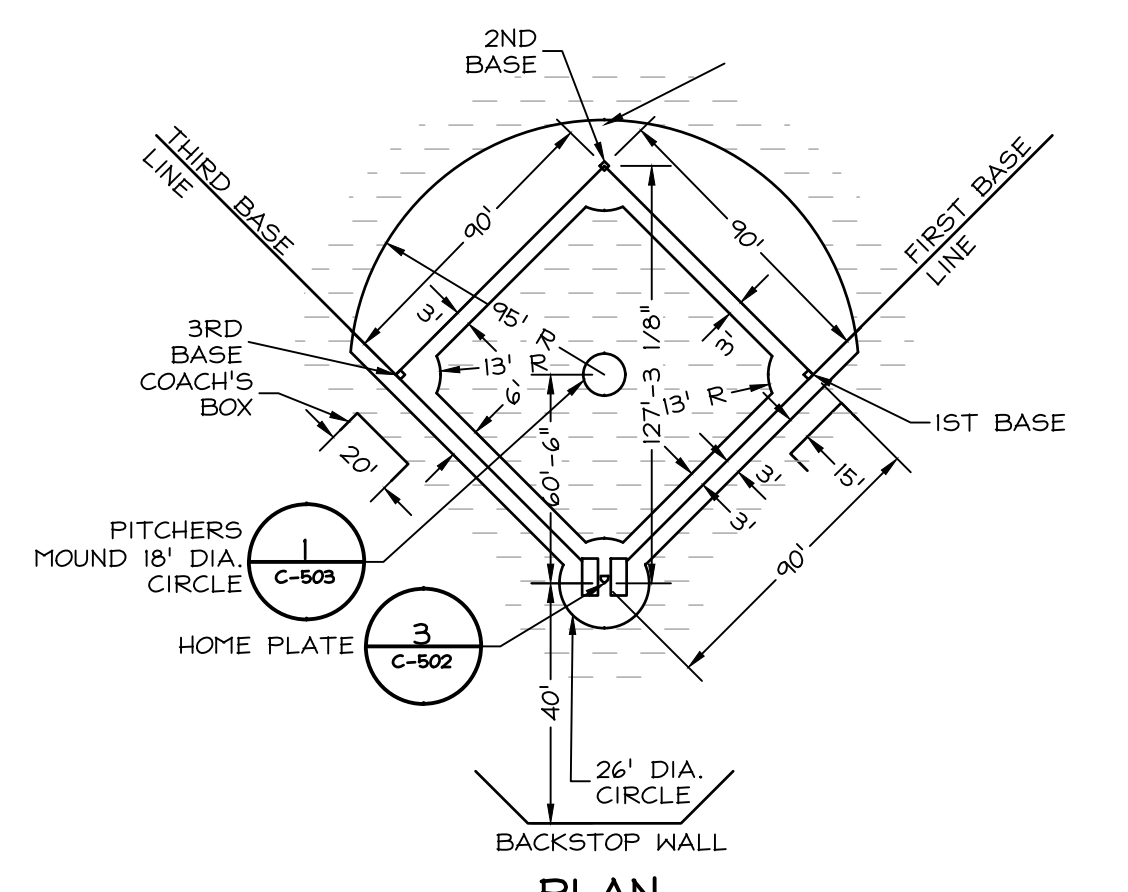
SECTION 4
FOUL POLE FOUNDATION
NOT TO SCALE



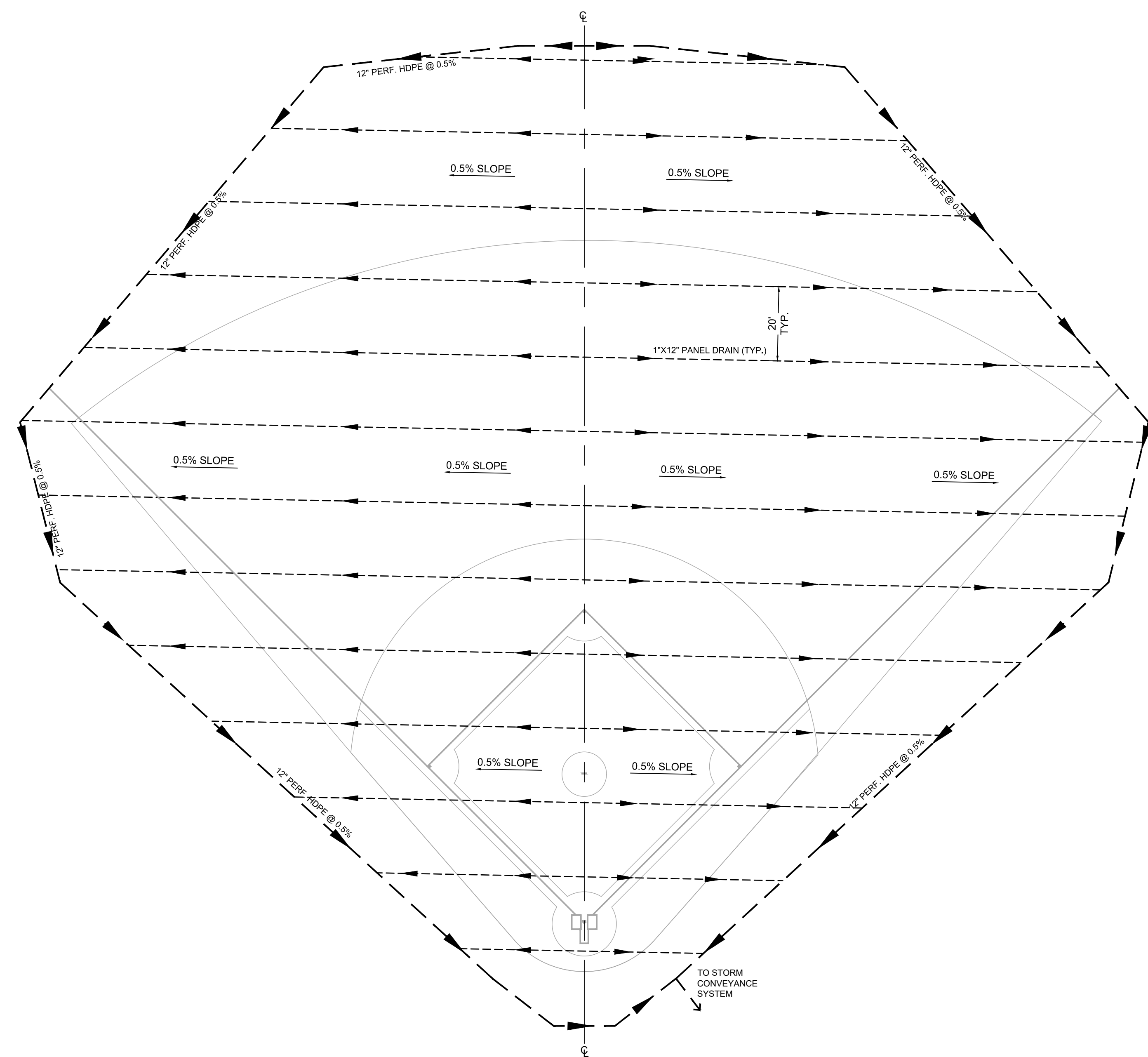
PLAN 3
ENLARGEMENT AT HOME PLATE (BASEBALL)
NOT TO SCALE



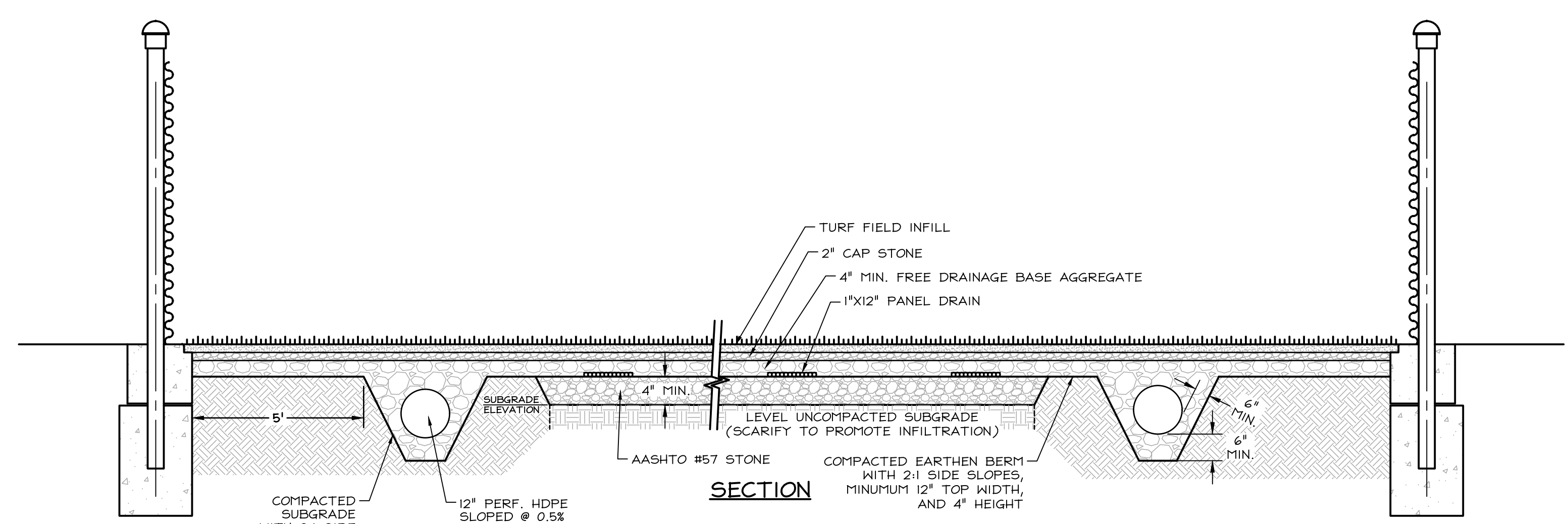
SECTION 2
SYNTHETIC TURF FIELD EDGE WITH FENCE
NOT TO SCALE



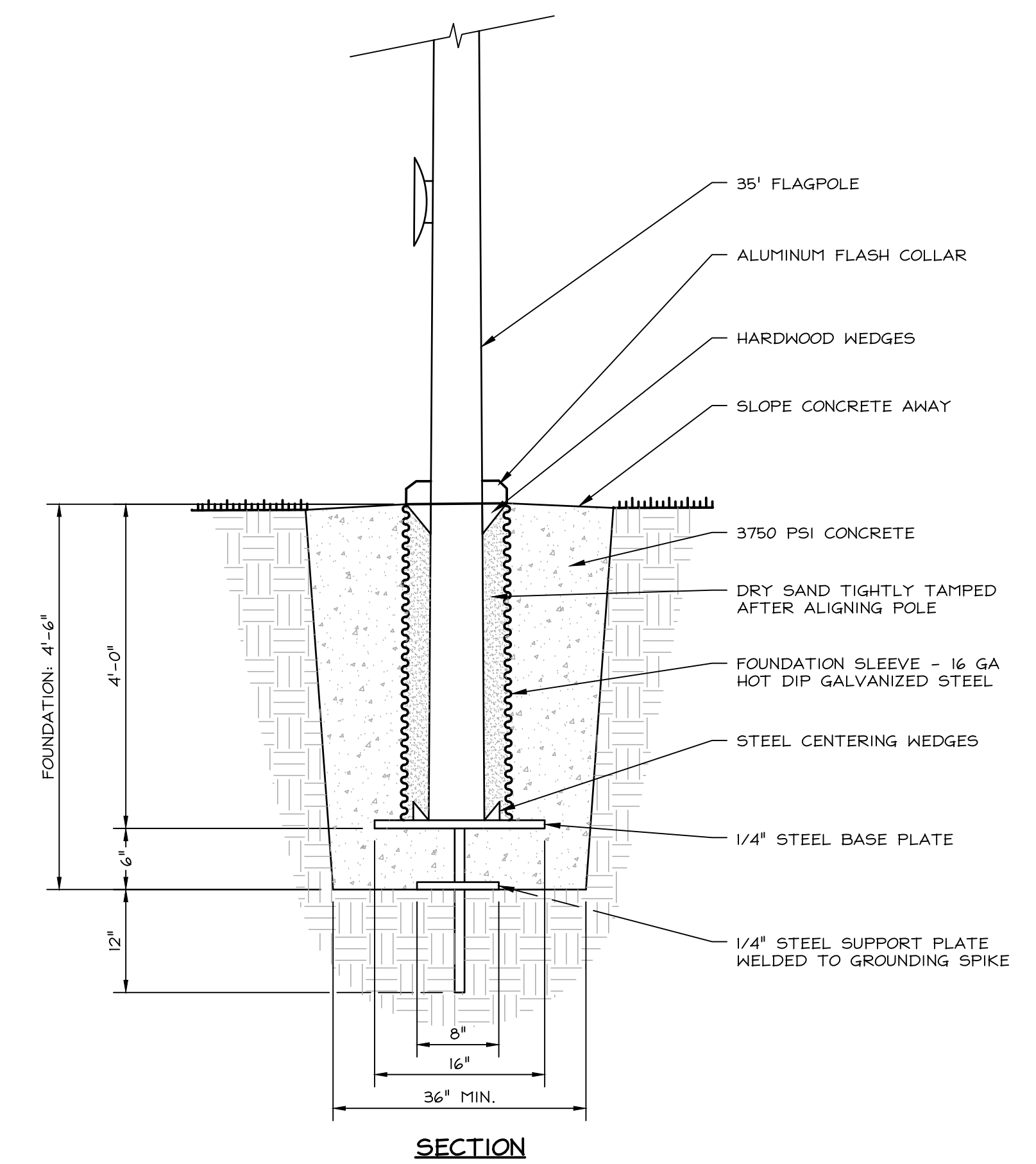
PLAN 1
BASEBALL FIELD LAYOUT
NOT TO SCALE



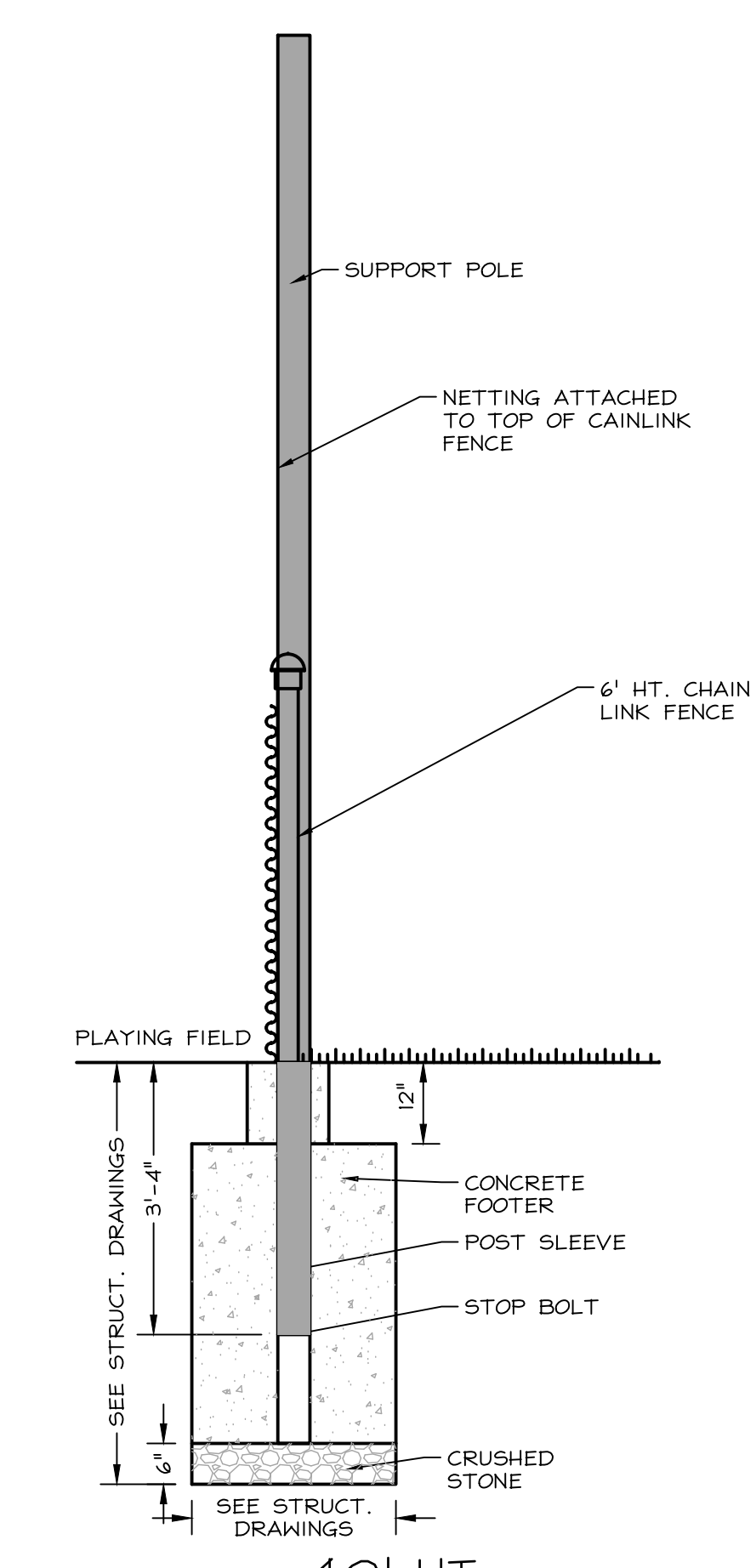
PLAN 6
BASEBALL FIELD DRAINAGE PLAN
NOT TO SCALE



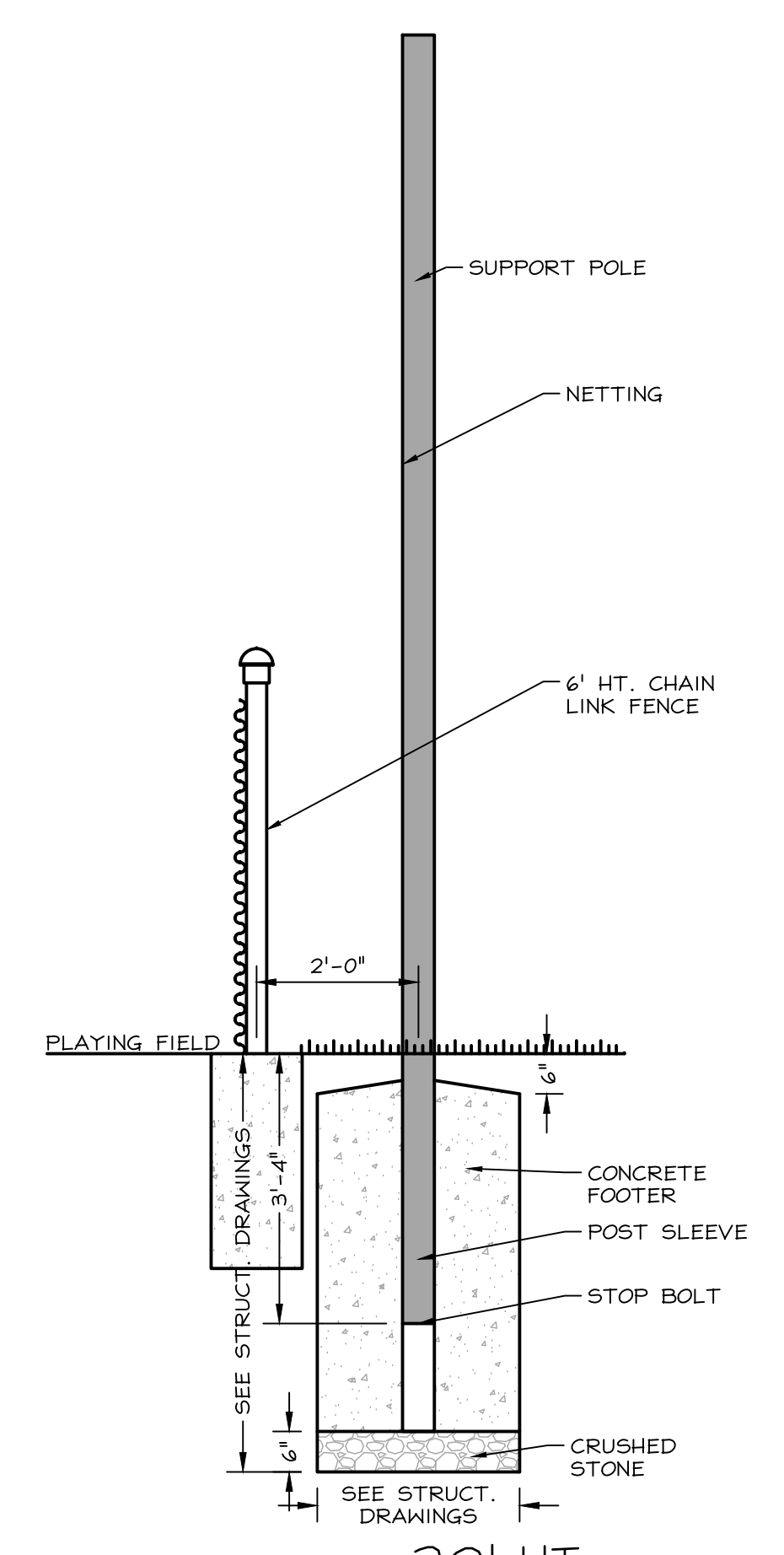
SECTION 5
INFILTRATION BED UNDER PLAYING FIELDS
NOT TO SCALE



SECTION 9
FLAGPOLE FOUNDATION
NOT TO SCALE



SECTION 8
40' HT. BALLSTOPPER NETTING
NOT TO SCALE



SECTION 7
20' HT. BALLSTOPPER NETTING
NOT TO SCALE