

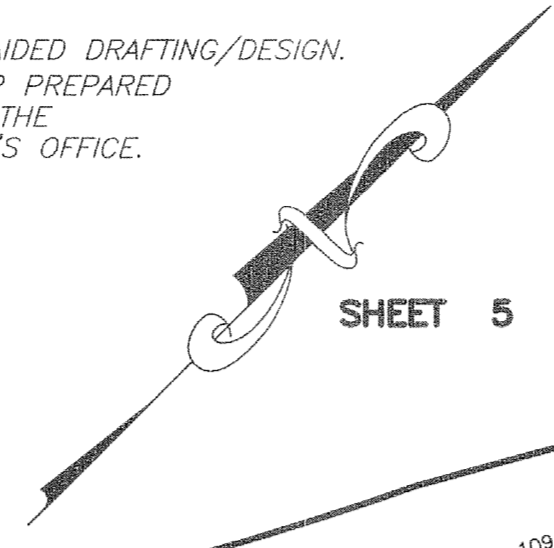
TAX MAP
BOROUGH OF MADISON
 MORRIS COUNTY, NEW JERSEY
 SCALE: 1"=100' DATE: 5-2-07
RICHARD F. SMITH, JR.
 PROFESSIONAL LAND SURVEYOR NO. 24GS02504800
 28 SCHUYLER PLACE
 MORRISTOWN, NJ 07960

1.	ANDREW CLARKE, PLS & PE - GENERAL REVIEW	5/4/18	D.C.B.	A.B.C.
No.	REVISION	DATE	BY	APP'D

DIVISION OF TAXATION,
 SIGNED BY:
 RICHARD F. SMITH JR.,
 APPROVED BY:
 SUE DAVISON, CTA
 FEBRUARY 13, 2012, SERIAL # 921.

MAINTENANCE AND SUPERVISION OF TAX
 MAPS FOR THE BOROUGH PRIOR TO JANUARY
 2015 WAS PERFORMED BY RICHARD F. SMITH, PLS.
 BEGINNING IN JANUARY 2016, MAINTENANCE AND
 SUPERVISION WAS PERFORMED BY
 ANDREW B. CLARKE, P.L.S., P.E. 6804105600

NOTES:
 1. THIS SHEET HAS BEEN DRAWN USING COMPUTER AIDED DRAFTING/DESIGN.
 2. THIS SHEET IS A DIGITIZED COPY OF THE TAX MAP PREPARED
 BY RICHARD F. SMITH, JR. AND DATED 5-2-07. THE
 APPROVED ORIGINAL IS ON FILE IN THE ENGINEER'S OFFICE.



SHEET 11

SHEET 6

SHEET 5

SHEET 16

SHEET 6

SHEET 7

SHEET 17

SHEET 19

SHEET 9

SHEET 7